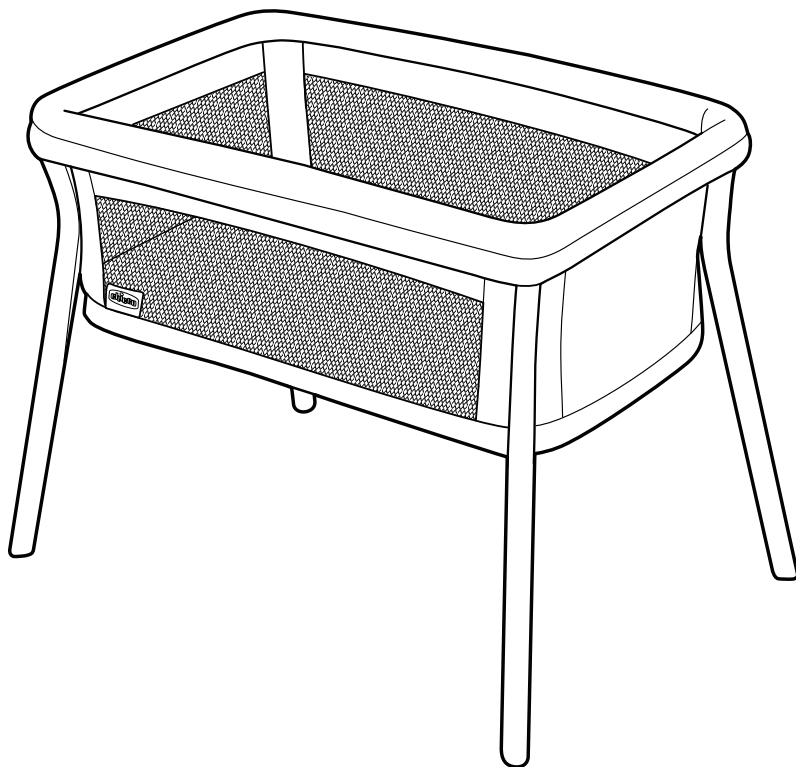




Read all instructions BEFORE
assembly and USE of product.
KEEP INSTRUCTIONS FOR
FUTURE USE.



LullaGo[®] Anywhere SE Bassinet

Owner's Manual

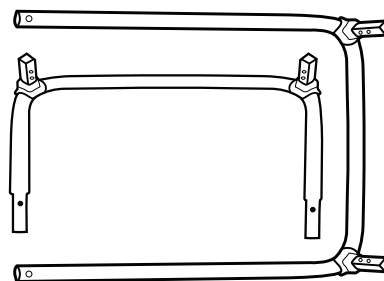
! WARNING

Failure to follow these warnings and the instructions could result in serious injury or death. For your child's safety, read the labels and owner's manual before using the product.

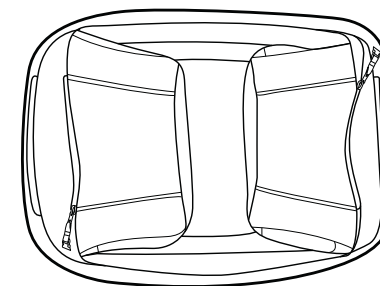
- PLEASE READ THESE INSTRUCTIONS CAREFULLY TO ENSURE THE SAFETY OF YOUR CHILD.
- ALWAYS PROVIDE THE SUPERVISION NECESSARY FOR THE CONTINUED SAFETY OF YOUR CHILD.
- SUFFOCATION HAZARD - Infants have suffocated:
 - In gaps between extra padding and side of the bassinet, and
 - On soft bedding.
 - Use ONLY the pad provided by Chicco. Never add a pillow, comforter, or another mattress for padding.
- If a sheet is used with the pad, use only a fitted sheet specifically designed to fit snug with at least 2" (5cm) under all sides of the pad.
- Strings and cords can cause strangulation! DO NOT place items with a string around child's neck such as hood strings, pacifier cords, etc.
- DO NOT suspend strings over the bassinet or attach strings to toys.
- DO NOT place the bassinet near a window where cords from blinds or drapes can strangle a child.
- FALL HAZARD - To help prevent falls, do not use this product when the infant begins to push up on hands and knees or has reached 20lbs (9kg), whichever comes first.
- DO NOT carry bassinet with child in it.
- Before use, remove and dispose of all plastic bags and packaging materials and keep them out of reach of children.
- Do not use accessories, spare parts, or any component not supplied or approved by Chicco as they may make the bassinet unsafe.
- Keep bassinet away from stoves, heaters, fireplaces and other hazards which can cause injury to your child.
- To reduce the risk of SIDS (Sudden Infant Death Syndrome), pediatricians recommend healthy infants be placed on their back to sleep unless otherwise advised by your physician.
- DO NOT place more than one child in bassinet.
- Never use this product if there are any loose or missing fasteners, loose joints, broken parts, or torn mesh/fabric. Check periodically during use. Contact Chicco for replacement parts and instructions, if needed. Never substitute parts.

Components

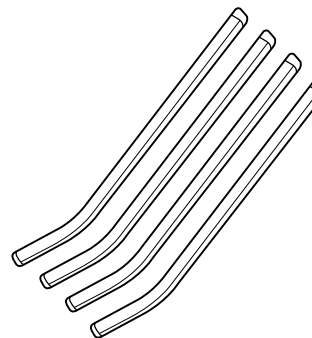
A. Bassinet Frame



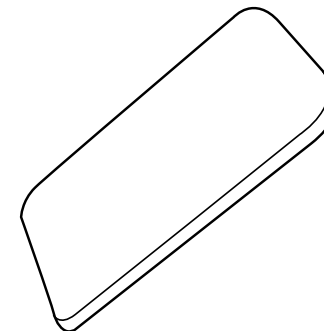
B. Bassinet Fabric



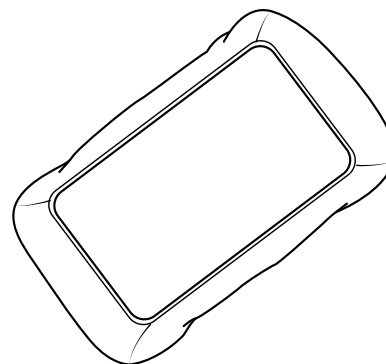
C. Four Legs



D. Mattress Pad

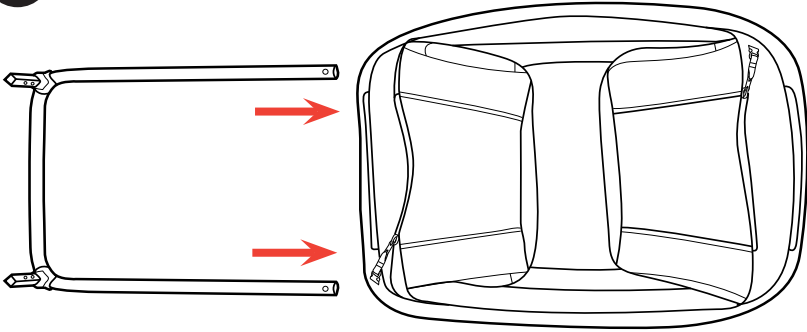


E. Fitted Sheet



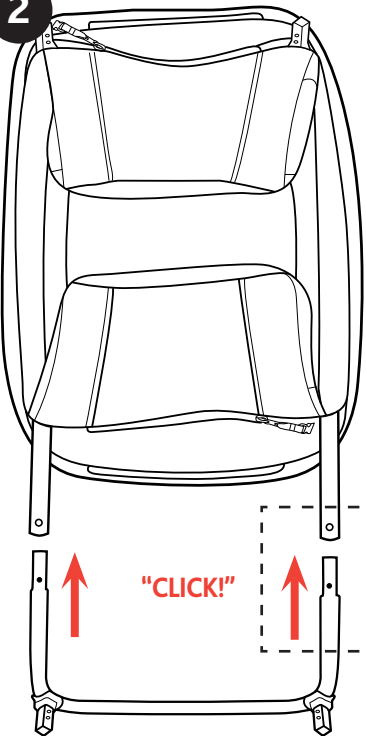
How to Assemble the Bassinet

1

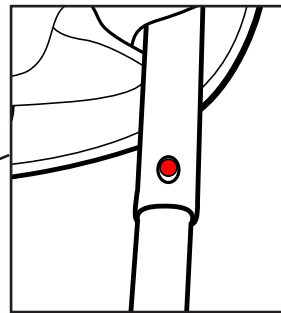


1. Lay out the Bassinet Frame piece (with longer arms) and the Bassinet Fabric, as shown. Guide the arms through the fabric until they come out the other side.

2

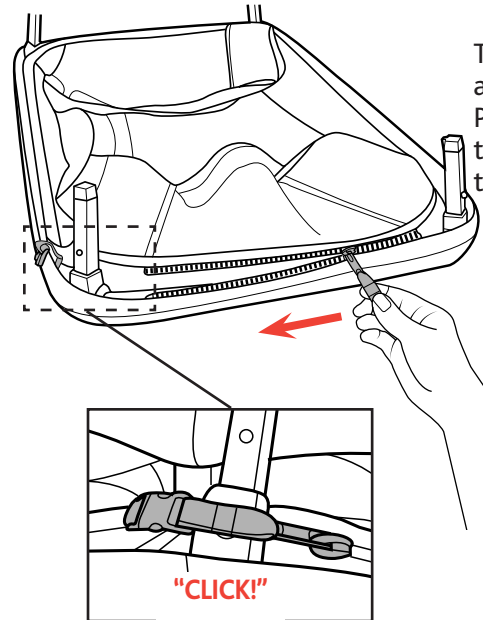


2. Attach the other Bassinet Frame piece, as shown. Make sure the Release Button locks in place on both sides. Pull on the Frame to make sure it is securely attached.



How to Assemble the Bassinet

3

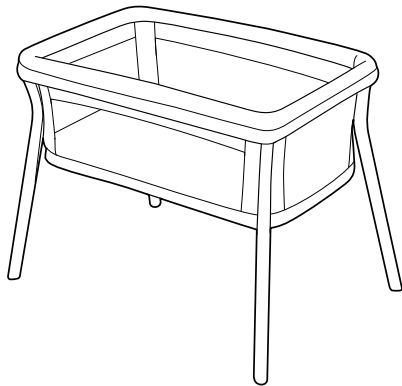
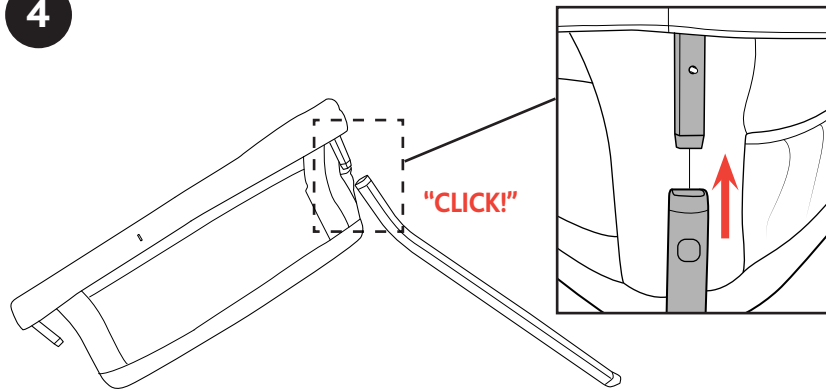


3. Pull the Bassinet Fabric around the frame and zip up the zipper on the one side of the Bassinet Fabric, as shown.

Then connect the zipper Buckle Lock around the leg attachment point. Pull on the Buckle Lock to make sure that it is secure. Repeat this step for the other side.

How to Assemble the Bassinet

4



4. To attach the 4 Legs, lift up one end of the Bassinet Frame.

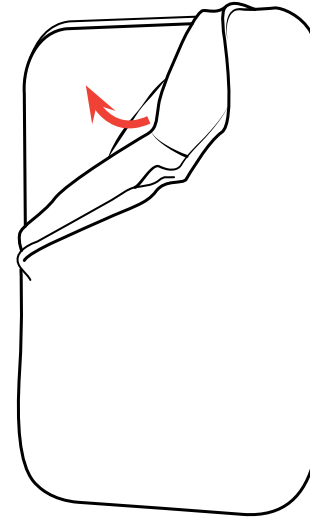
With the Release Button facing towards you, slide the leg onto the leg attachment point, as shown. Make sure the Release Button locks in place. Pull on the Leg to make sure it is securely attached.

Repeat for the other 3 legs.

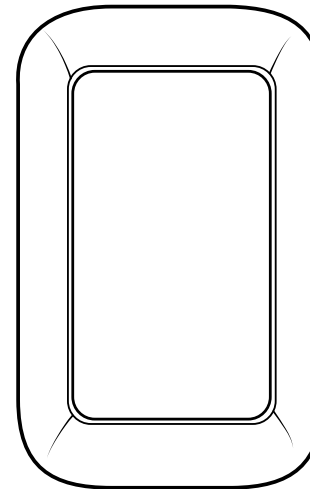
How to Assemble the Bassinet

5

Top View



Bottom View



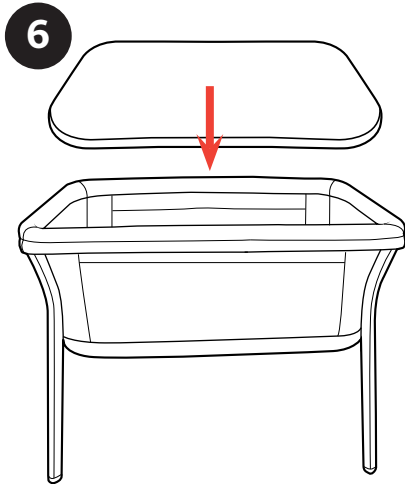
5. To attach Fitted Sheet to the Mattress Pad, slide each corner around the corners of the Mattress Pad, as shown.

Check that the sheet fits snug and tucks under all sides of the mattress.

How to Assemble the Bassinet

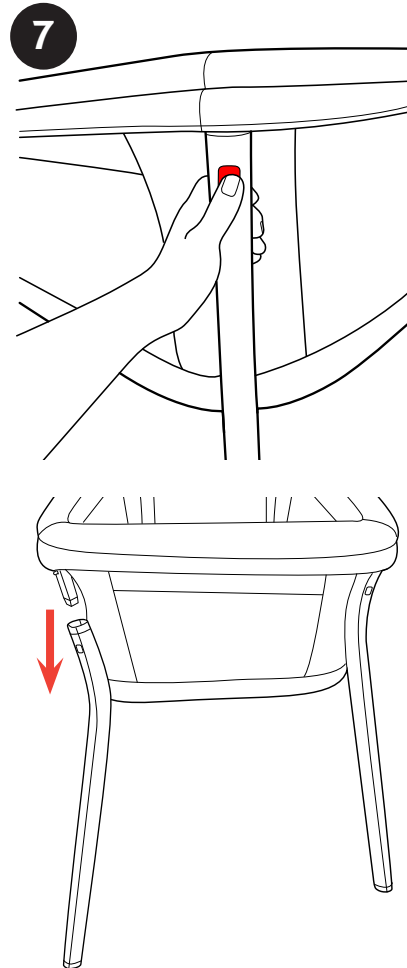
⚠️ WARNING

FALL HAZARD - To help prevent falls, stop using the bassinet when infant begins to push up on hands and knees or weighs over 20lbs. (9kg), whichever comes first.



6. Insert the Mattress Pad into the bottom of the Bassinet, as shown. Make sure Mattress Pad is level.

Disassemble the Bassinet



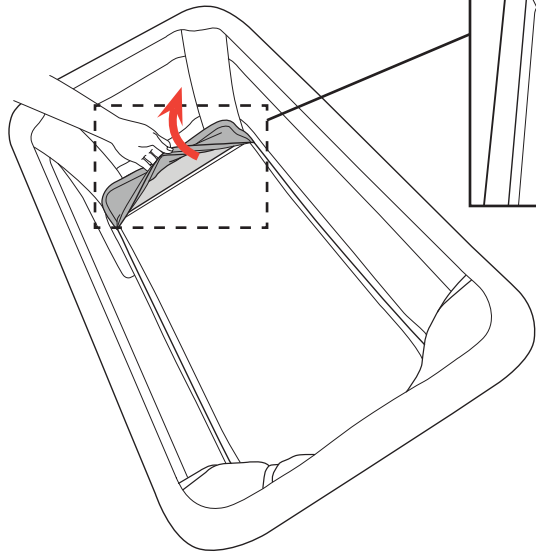
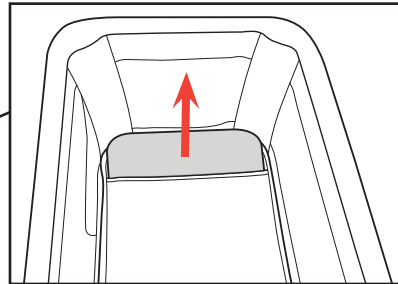
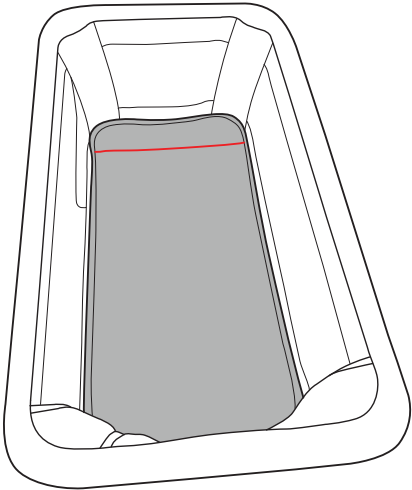
7. Remove the Mattress Pad from the Bassinet.

To release the legs, press in on the Release Button on the leg and pull the leg off of the Bassinet, as shown. Repeat for the other 3 legs.

How to Remove the Fabric

8

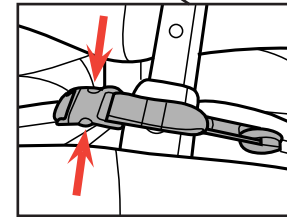
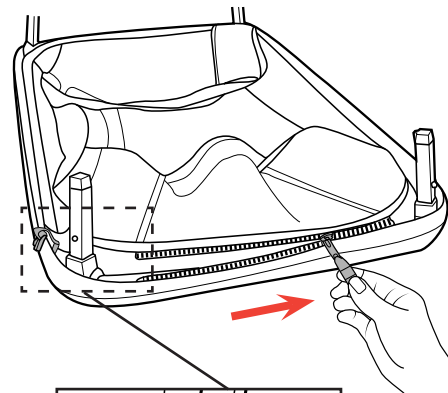
8. To remove the Bassinet Board, locate the bottom opening on the inside of the Bassinet Fabric. Guide the edge of the Bassinet Board through the fabric opening and remove the Bassinet Board, as shown.



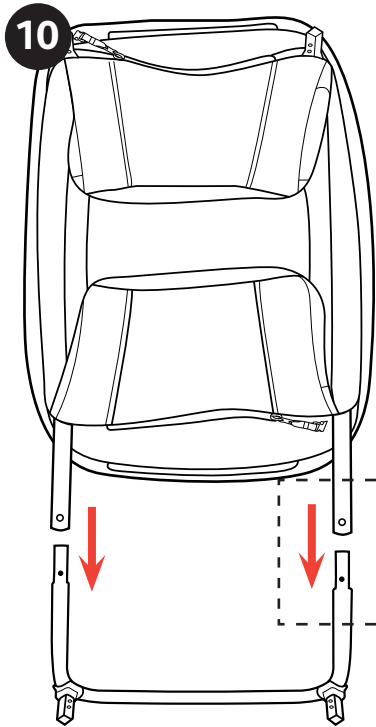
How to Remove the Fabric

9

9. To remove the fabric, lay the Bassinet down and lift up the edge of fabric to locate the Buckle Lock and Zipper. Undo the Buckle Lock and unzip the zipper. Repeat for the other side.

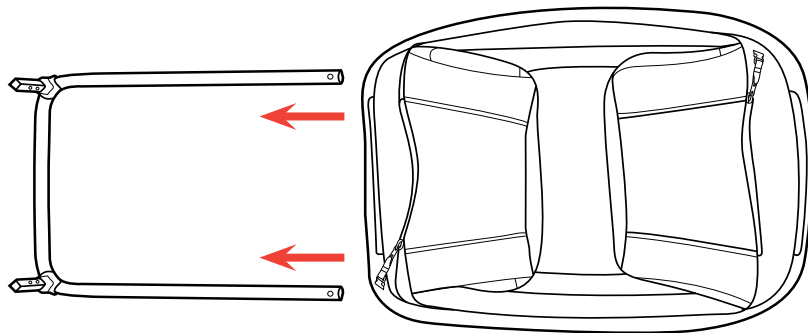
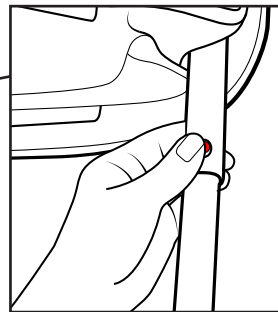


How to Remove the Fabric



10. Press in on the release buttons and pull the Bassinet Frame pieces apart. Then remove the longer Bassinet Frame piece from the tunnels in the Bassinet Fabric.

To re-assemble the Bassinet Fabric, repeat steps 8 through 10 in reverse. Make sure to connect the Zipper Buckle Locks around the leg attachment points. Pull on the Buckle Locks to make sure they are secure.



Cleaning and Maintenance

This product requires regular maintenance. The cleaning and maintenance of the Bassinet must only be carried out by an adult.

CLEANING

The Bassinet Fabric Cover is completely removable and washable. Check the product regularly for signs of wear and damage and to ensure that it is assembled correctly. Should any part be damaged, do not use it and keep it out of reach of children. Do not clean the product with solvents, abrasive or harsh products.

Removable fabric parts of the product may be machine washed separately in cold water and mild soap on delicate cycle. No bleach. Drip dry.

CLEANING PARTS

Periodically wipe clean plastic parts with a soft damp cloth. Always dry the metal parts to prevent the formation of rust. Do not immerse the Mattress Pad in water. Wipe clean with a damp cloth and mild detergent (do not use bleach).

For More Information

For USA customers:

If you have any questions or comments about this product, or are missing any of the parts, please do not return this product to the store. Contact us in one of the following ways:



(877)-424-4226



info.usa@artsana.com



www.chiccousa.com



1826 William Penn Way
Lancaster, PA 17601



www.chiccousa.com