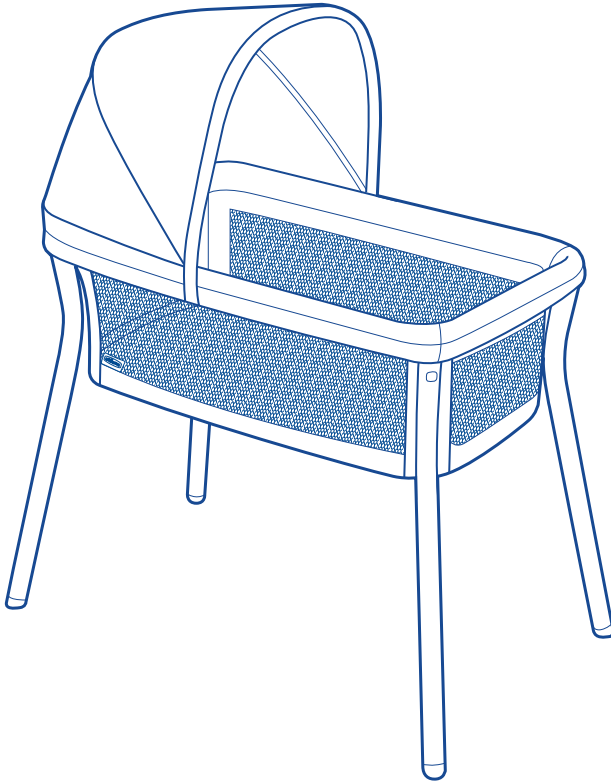




Read all instructions BEFORE
assembly and USE of product.
KEEP INSTRUCTIONS FOR
FUTURE USE.



LullaGo[®] Anywhere LE Bassinet

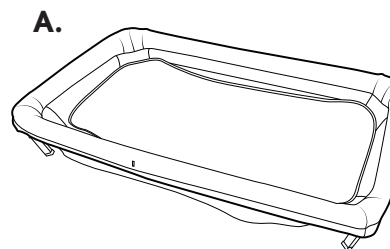
Owner's Manual

! WARNING

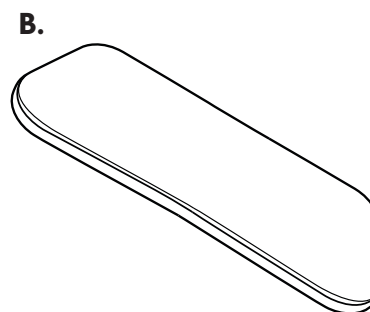
Failure to follow these warnings and the instructions could result in serious injury or death. For your child's safety, read the labels and owner's manual before using the product.

- PLEASE READ THESE INSTRUCTIONS CAREFULLY TO ENSURE THE SAFETY OF YOUR CHILD.
- ALWAYS PROVIDE THE SUPERVISION NECESSARY FOR THE CONTINUED SAFETY OF YOUR CHILD.
- SUFFOCATION HAZARD - Infants have suffocated:
 - In gaps between extra padding and side of the bassinet, and
 - On soft bedding.
 - Use ONLY the pad provided by Chicco. Never add a pillow, comforter, or another mattress for padding.
- If a sheet is used with the pad, use only a fitted sheet specifically designed to fit snug with at least 2" (5cm) under all sides of the pad.
- Strings and cords can cause strangulation! DO NOT place items with a string around child's neck such as hood strings, pacifier cords, etc.
- DO NOT suspend strings over the bassinet or attach strings to toys.
- DO NOT place the bassinet near a window where cords from blinds or drapes can strangle a child.
- FALL HAZARD - To help prevent falls, do not use this product when the infant begins to push up on hands and knees or has reached 20lbs (9kg), whichever comes first.
- DO NOT carry bassinet with child in it.
- Before use, remove and dispose of all plastic bags and packaging materials and keep them out of reach of children.
- Do not use accessories, spare parts, or any component not supplied or approved by Chicco as they may make the bassinet unsafe.
- Keep bassinet away from stoves, heaters, fireplaces and other hazards which can cause injury to your child.
- To reduce the risk of SIDS (Sudden Infant Death Syndrome), pediatricians recommend healthy infants be placed on their back to sleep unless otherwise advised by your physician.
- DO NOT place more than one child in bassinet.
- Never use this product if there are any loose or missing fasteners, loose joints, broken parts, or torn mesh/fabric. Check periodically during use. Contact Chicco for replacement parts and instruction if needed. Never substitute parts.

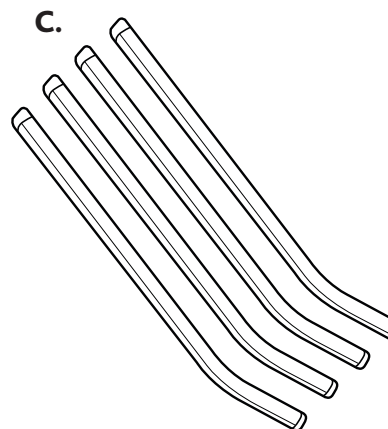
Components



A. - Bassinet Frame

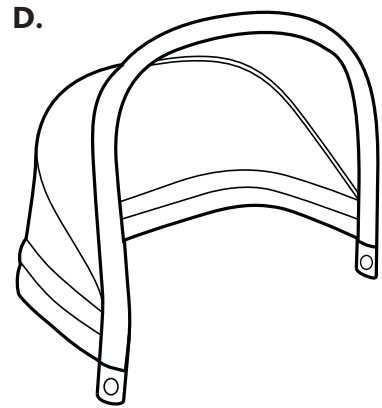


B. - Mattress Pad

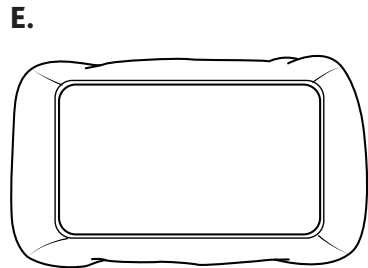


C. - Four Legs

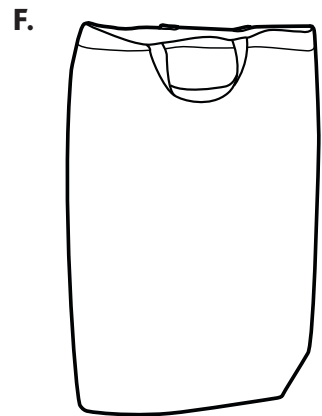
Components



D. - Canopy



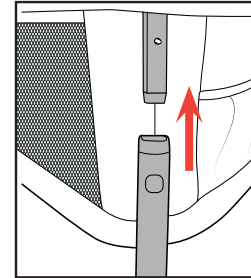
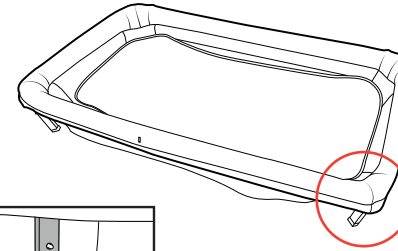
E. - Fitted Sheet



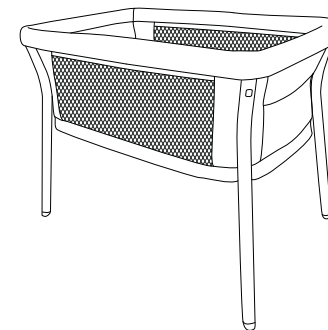
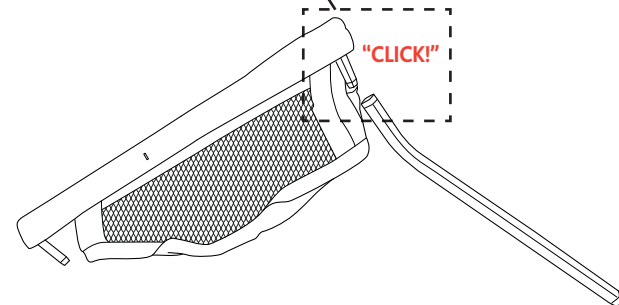
F. - Tote Bag

How to Assemble the Bassinet

1



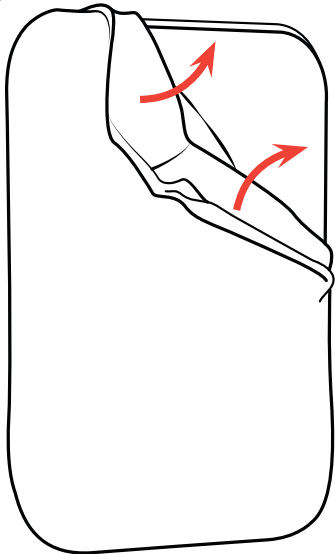
1. Place the Bassinet Frame on the floor, lift up one end of the frame. With the Release Button facing towards you, slide the leg onto the corner attachment point, as shown. Make sure the Release Button locks in place. Pull on the Leg to make sure it is securely attached. Repeat for the other 3 Legs.



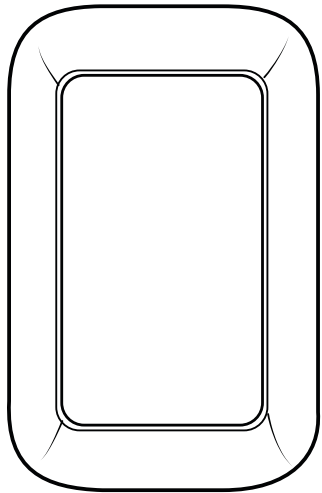
How to Assemble the Bassinet

2

Top View



Bottom View



2. To put the Fitted Sheet on the Mattress Pad, slide each corner of the Fitted Sheet around the corners of the Mattress Pad as shown.

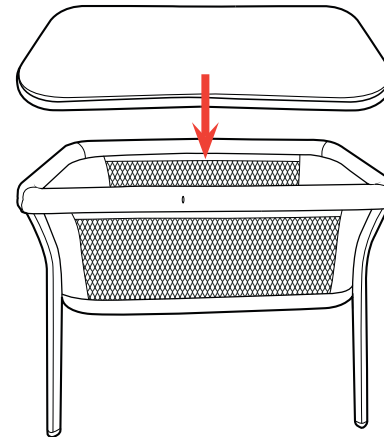
Check that sheet fits snug and tucks under all sides of the mattress.

How to Assemble the Bassinet

⚠ WARNING

FALL HAZARD - To help prevent falls, stop using the bassinet when infant begins to push up on hands and knees or weighs over 20 lbs. (9kg), whichever comes first.

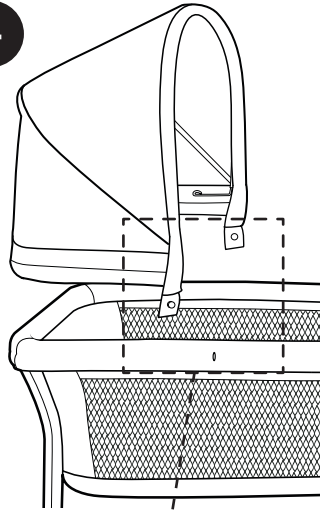
3



3. Insert the Mattress Pad into the bottom of the Bassinet, as shown. Make sure Mattress Pad is level.

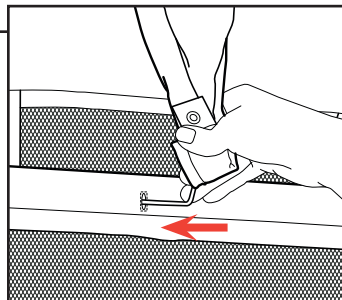
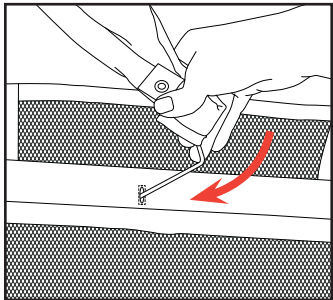
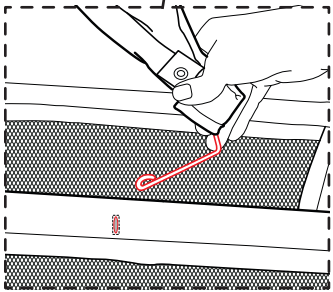
How to Assemble the Bassinet

4



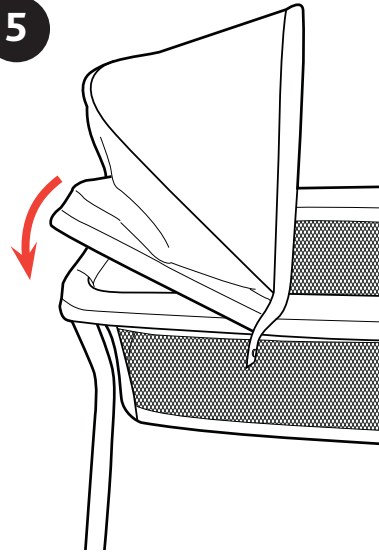
4. Attach the Canopy on the end without the Storage Pocket.

Locate both Canopy Wires and the Fabric Openings on the outside of the Bassinet top edge. Tilt both Canopy Wires down and insert them into the side Fabric Openings.



How to Assemble the Bassinet

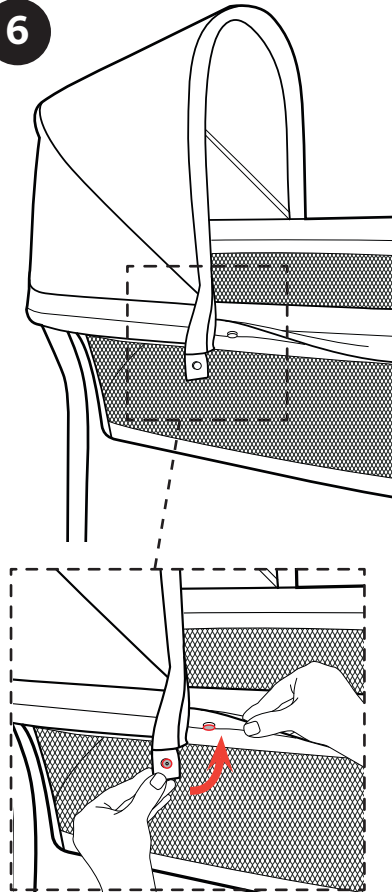
5



5. Pull the bottom edge of the Canopy Fabric snugly down around the Bassinet top edge.

How to Assemble the Bassinet

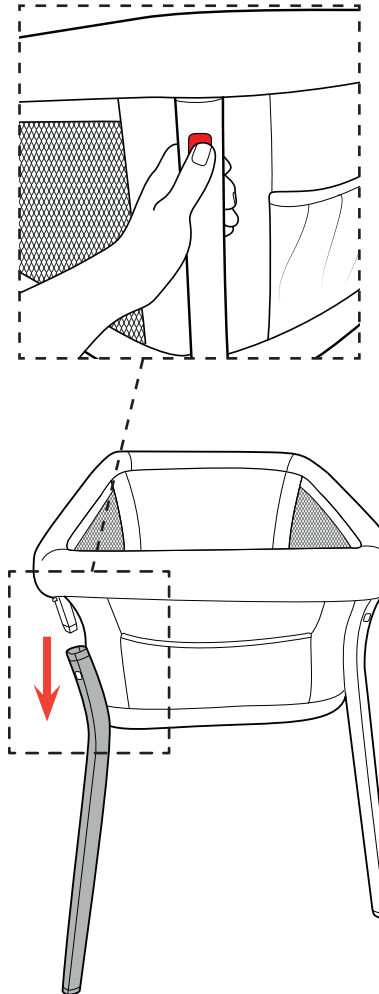
6



6. On one side of the bassinet, locate the two sections of the Snap Button. On the Canopy near the wire and lifting up the edge of the Bassinet Fabric below the wire. Attach both sections together. Repeat for the other side.

Travel and Storage

7

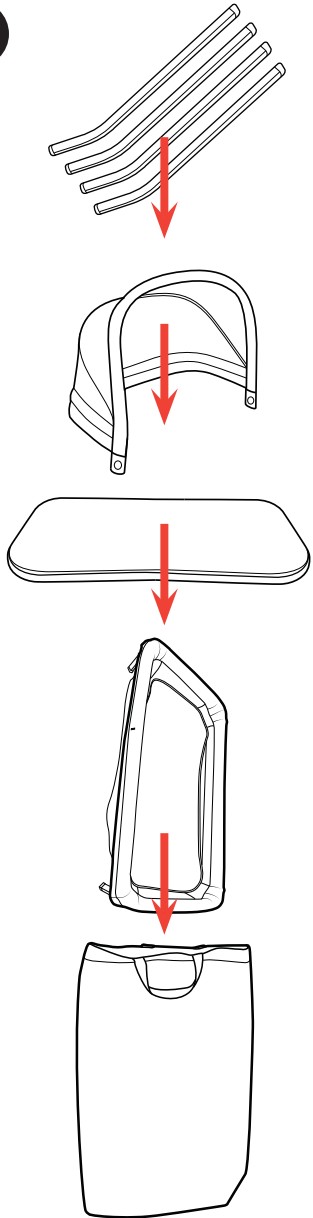


7. Remove the Canopy and Mattress Pad from the Bassinet.

To release the Legs, press in on the Release Button on the Leg and pull the Leg off of the Bassinet, as shown. Repeat for the other 3 Legs.

Travel and Storage

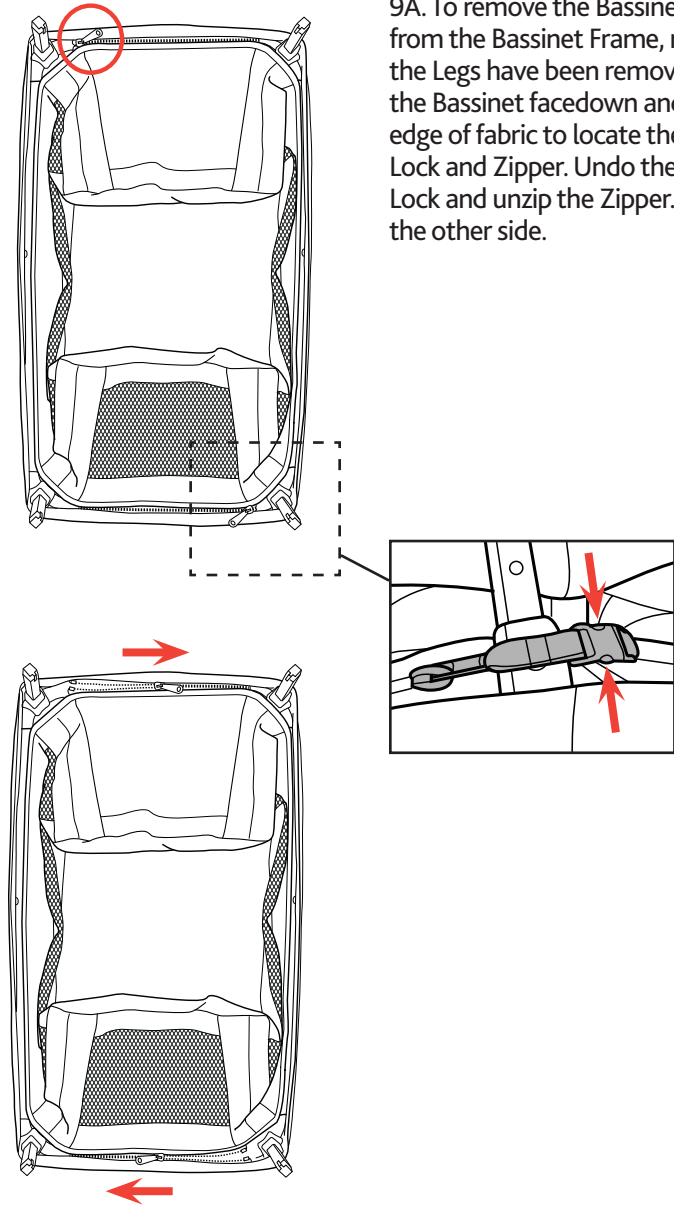
8



8. To transport or store your Bassinet, place the Bassinet Frame, Mattress Pad, Canopy and 4 Legs into the Tote Bag, as shown.

How to Remove the Fabric

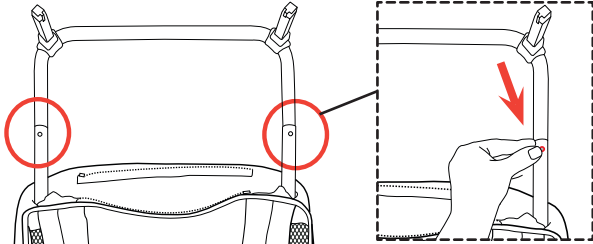
9A



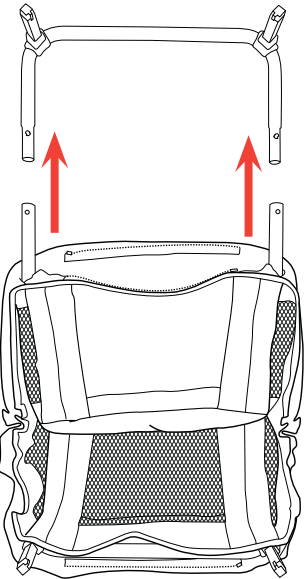
9A. To remove the Bassinet Fabric from the Bassinet Frame, make sure the Legs have been removed. Place the Bassinet facedown and lift up the edge of fabric to locate the Buckle Lock and Zipper. Undo the Buckle Lock and unzip the Zipper. Repeat for the other side.

How to Remove the Fabric

9B

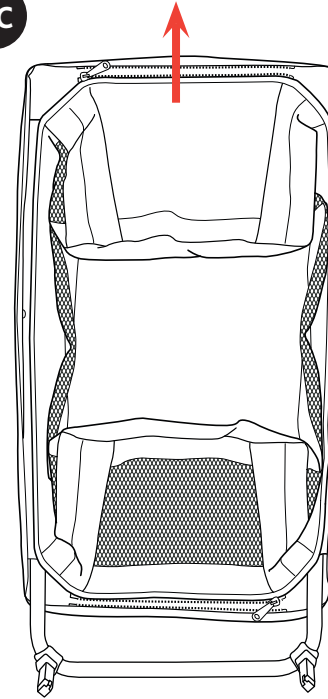


9B. Slide the Fabric down on the end without the Mesh Pocket, as shown. Locate the Snap Buttons on the Bassinet Frame. Push in on the Snap Buttons and pull apart the Bassinet Frame.



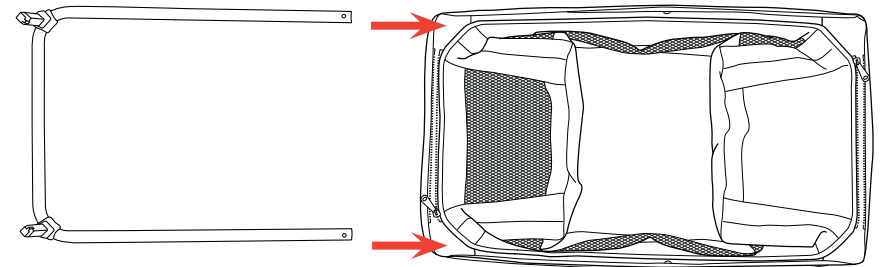
How to Remove the Fabric

9c



9C. Remove the Fabric off of the Bassinet Frame.

9D



9D. To re-attach the Fabric insert the bottom section of the Bassinet Frame into the sleeve openings, as shown. Then repeat step 9A and 9B in reverse. Make sure to connect the Zipper Buckle Locks around the leg attachment points. Pull on the Buckle Locks to make sure they are secure.

Cleaning and Maintenance

This product requires regular maintenance. The cleaning and maintenance of the Bassinet must only be carried out by an adult.

CLEANING

The Bassinet and Mattress have Fabric Covers that are completely removable and washable. Check the product regularly for signs of wear and damage and to ensure that it is assembled correctly. Should any part be damaged, do not use it and keep it out of reach of children. Do not clean the product with solvents, abrasive or harsh products.

Please refer to the care label for instructions on cleaning the fabric parts of the Bassinet. The Canopy should be spot cleaned only. Wipe clean with a damp cloth and mild detergent (do not use bleach).

CLEANING PARTS

Periodically wipe clean plastic parts with a soft damp cloth. Always dry the metal parts to prevent the formation of rust. Do not immerse the floor boards and Mattress padding in water. Wipe clean with a damp cloth and mild detergent (do not use bleach).

For More Information

For USA customers :

If you have any questions or comments about this product, or are missing any of the parts, please do not return this product to the store. Contact us in one of the following ways:



(877)-424-4226



info.usa@artsana.com



www.chiccousa.com



1826 William Penn Way
Lancaster, PA 17601



www.chiccousa.com