

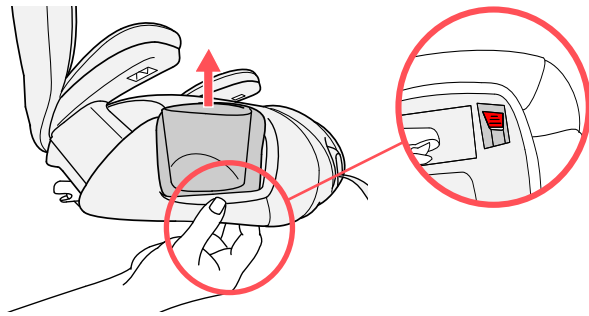


⚠️ WARNING: Avoid serious injury or death to your child. Never use your KidFit Child Restraint without the softgoods in place. You must read and understand the Softgood Removal instructions and the instructions in the User Guide. If you do not understand these instructions, DO NOT attempt to remove the softgoods, **STOP** and call Chicco at 1-877-424-4226.

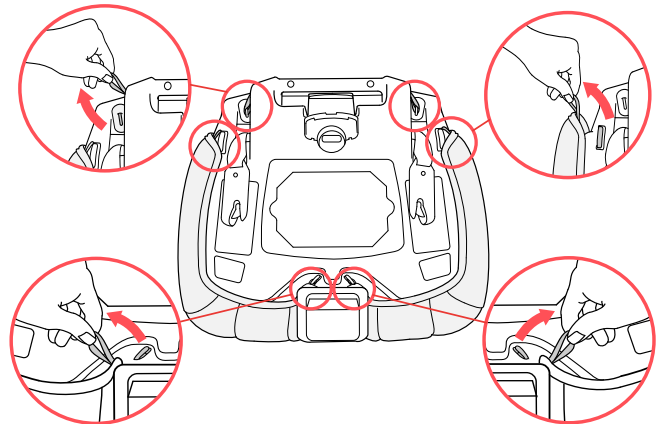
SS0006_01

INSTRUCTIONS: KidFit Softgood Removal

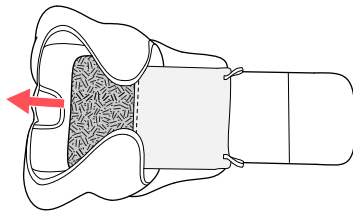
IMPORTANT: Please also refer to the instructions that came with your product.



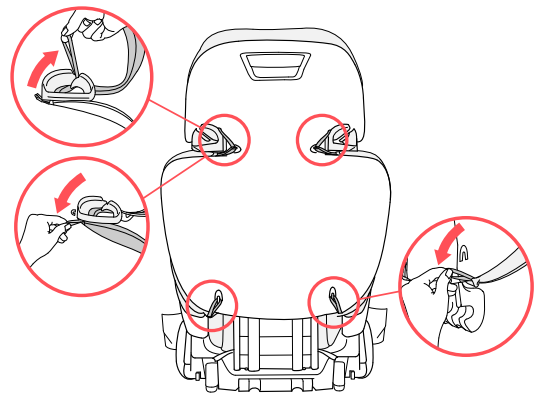
1 Remove both **Cup Holders** by pressing in on the release button on the bottom of the Booster Seat.



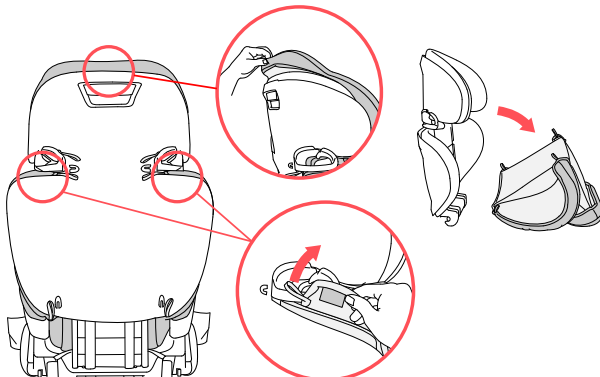
2 Flip the **Booster Seat bottom over** and unhook 6 elastic loops, as shown.



3 Flip the **fabric over** and remove the **Foam Pad** before you wash the fabric.

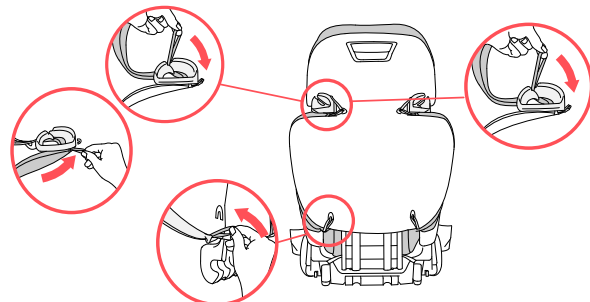


4 On the **Booster Backrest**, unhook 6 elastic loops as shown. Four behind the **Headrest** and two at the bottom of the seat back.

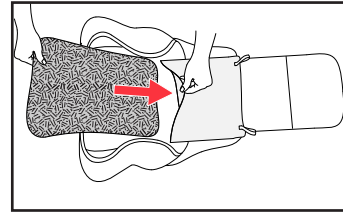
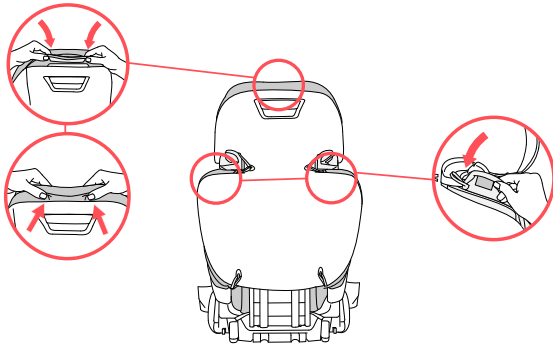


5 Lift up on the **plastic tabs** at the top of the **Headrest** and below the **Shoulder Belt Guides**, as shown. Pull the **Seat fabric cover** forward to remove.

TO RE-ATTACH THE FABRIC:

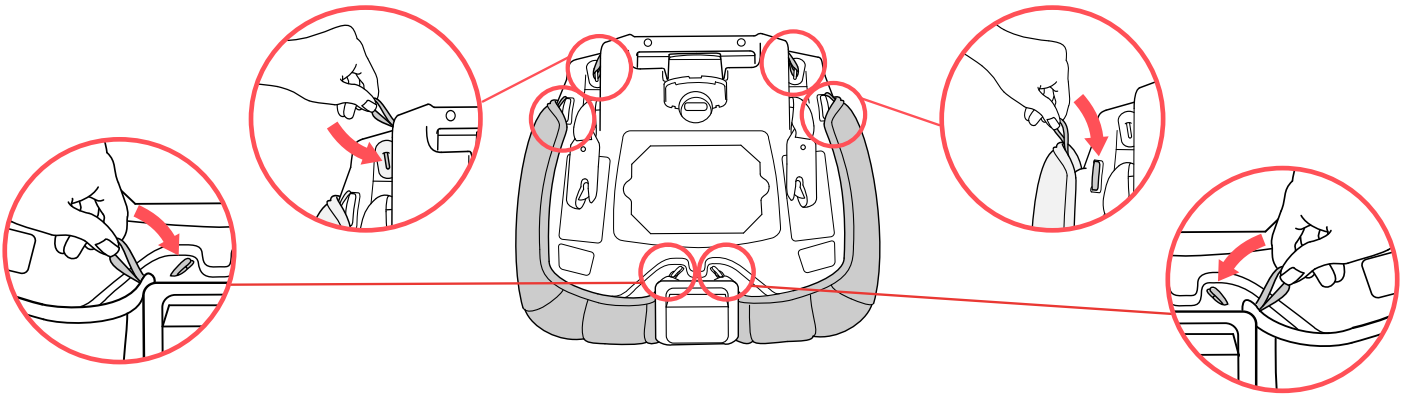


6 Position the **fabric cover** on the **Booster Backrest** and reattach all elastic loops.



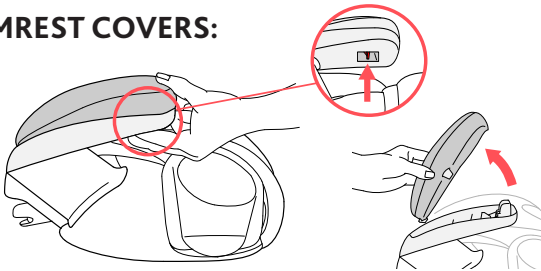
7 Insert the plastic tab on the top of the Headrest into the long groove right above the top edge of the Backrest. Then Insert the plastic tab below the Shoulder Belt Guide, slide between the Backrest and foam. Repeat for the other side.

8 Insert the Foam Pad into the fabric seat bottom before you re-install onto the seat bottom frame.

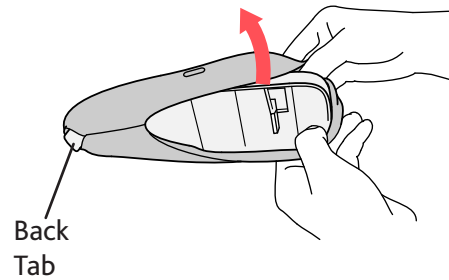


9 Position the fabric cover on the Booster Seat bottom and tuck in the fabric along the belt guide edges. Flip the seat bottom over. Then tighten the fabric over the Booster Seat bottom further by reattaching the elastic loops, as shown. **Be sure to fit fabric cover carefully around all orange belt guides. The Booster Seat must never be used without the fabric cover. It may not perform as intended in the event of a crash.**

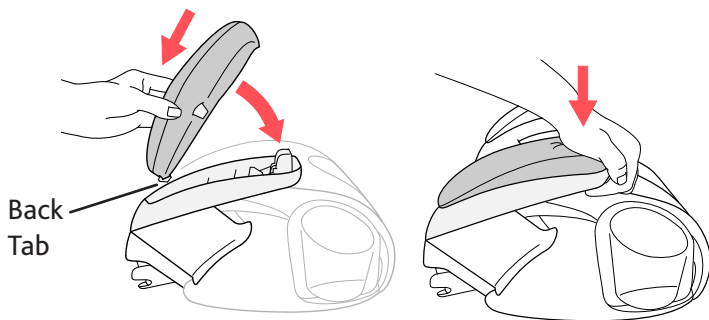
ARMREST COVERS:



1 Locate the Armrest release button directly under the front of the Armrest. Pull on the button and at the same time lift up on the front edge to remove the Armrest pad.



2 Pull back on the edges of the Armrest fabric covers and slide the fabric off the Armrest base.



3 To reattach the Armrest, insert the Back Tab into the Armrest base and push down on the front edge until it clicks into the base.

Cleaning Instructions:
 Fabrics may be spot-cleaned with mild soap and warm water, or machine washed in cold water on delicate cycle using mild detergent. Hang to dry. **DO NOT BLEACH.** Please consult your product manual for additional care and maintenance instructions. Contact Chicco Customer Service at **1-877-424-4226** for assistance or additional information.