

## Clip-On Electronic Module

Owner's Manual

### For More Information

If you have any questions or comments about this product, or are missing any of the parts, please contact us in one of the following ways:



(877)-424-4226



info@chiccousa.com



www.chiccousa.com



1826 William Penn Way  
Lancaster, PA 17601

### WARNING

For your child's safety, please read these instructions and keep for future reference.

This Electronic Module is not a toy and is not intended to be grasped by the child. **DO NOT** use the Electronic Module unless it is attached to the side of the bassinet. Always follow all bassinet warnings and instructions.

- **To prevent the risk of strangulation:** Do not attach strings or straps to the product.
- Remove and discard all packaging and packaging fasteners before using this product.
- Do not use the product if any components are broken or missing.
- Before each use, ensure that the product and all its components are not damaged. If damaged or broken, immediately discard the Electronic Module.
- Do not use accessories or replacement parts other than those approved by Chicco.
- This product requires adult assembly.

### Cleaning

- To prevent damage to the electronics, do not submerge the product in water. Only use a soft damp cloth to clean the product.
- Protect the product against heat, dust, sand, and water.

### Removing and Inserting Batteries

The Electronic Module requires 3 AA 1.5 volt batteries. Batteries not included. Batteries must only be fitted by an adult. Always keep batteries and tools out of reach of children.

- Always remove exhausted batteries from the product to avoid damage by possible battery leakage.
- Always remove batteries when the product is not going to be used for long periods of time.
- It is recommended to use alkaline batteries of the same type in this product.
- Do not mix alkaline, standard (carbon-zinc), or rechargeable (ni-cad) batteries. Do not mix old and new batteries.
- Always dispose of batteries properly.
- Do not short circuit battery terminals.

### FCC Information

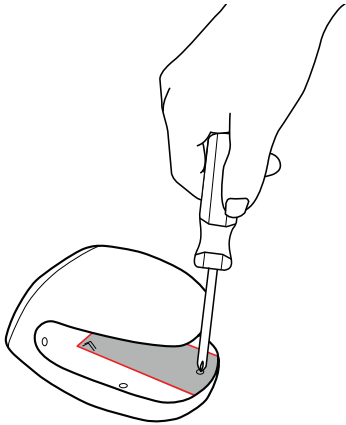
Caution: changes or modifications not expressly approved by the part responsible for compliance could void the user's authority to operate the equipment.

NOTE: This equipment has been tested and found to comply with the limits for a Class B digital device, pursuant to Part 15 of the FCC Rules. These limits are designed to provide reasonable protection against harmful interference in a residential installation. This equipment generates, uses and can radiate radio frequency energy and, if not installed and used in accordance with the instructions, may cause harmful interference to radio communications. However, there is no guarantee that interference will not occur in a particular installation. If this equipment does cause harmful interference to radio or television reception, which can be determined by turning the equipment off and on, the user is encouraged to try to correct the interference by one or more of the following measures:

- Reorient or relocate the receiving antenna.
- Increase the separation between the equipment and receiver.
- Connect the equipment into an outlet on a circuit different from that to which the receiver is connected.
- Consult the dealer or experienced radio/TV technician for help.

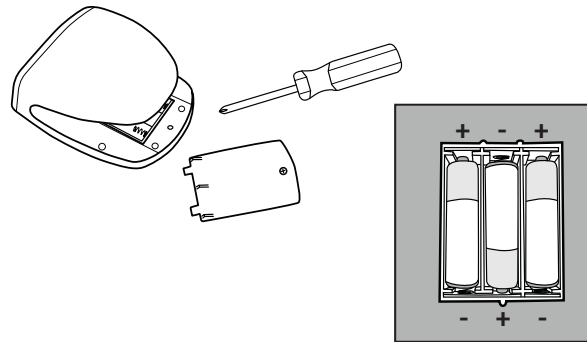
## INSTALL BATTERIES:

1



Before attempting to operate the Electronic Module, install 3 "AA" batteries. Use a Phillips screwdriver to unfasten battery cover and remove.

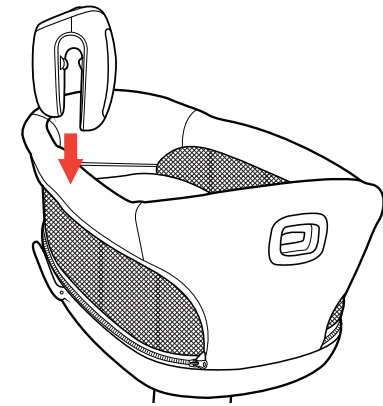
2



Install 3 "AA" batteries matching the polarity indicated inside battery compartment. Re-attach the battery cover.

## TO ATTACH NIGHT LIGHT:

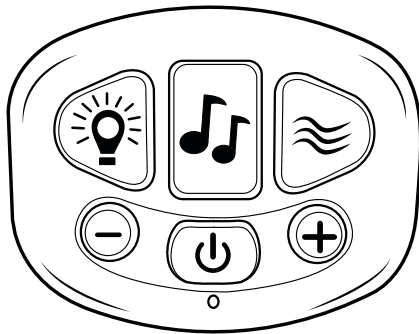
3



Attach the Clip-on Module on the bassinet top rail. Position it on the side closest to you so it can be operated without reaching over the baby. Make sure the light faces towards the inside of the bassinet. Press down gently ensuring that it is resting securely in place. **DO NOT** force.

## NIGHT LIGHT USE:

4



Press the ON/OFF (⏻) button once to turn "ON" the Electronic Module. The LED light will illuminate to indicate the Electronic Module is on. Press it again to turn the Electronic Module "OFF".

**VIBRATION:** Press the VIBRATION (≈) button to activate. The vibration has two stages: press once for low setting, press a second time for high. When the VIBRATION (≈) button is "ON" the Electronic Module will gently vibrate for about 10 minutes before automatically turning off. You can turn off vibration by pressing the vibration button a third time.

**NIGHT LIGHT:** Press the LIGHT (💡) button to turn the Lights "ON" or "OFF". When the light is "ON" it will automatically turn off in 10 minutes.

**MELODIES:** Press the Music Note (🎵) button to start the 6 different tracks of music. When Music Note is on it will play for a 10 minutes then automatically turn off. To cycle through the 6 tracks press the Music Note (🎵) button once to skip to the next track.

**VOLUME:** Press the volume (+/-) buttons positioned on each side of the ON/OFF button to increase or decrease the volume. The plus (+) sign increases volume and the minus (-) sign decreases volume.



[www.chiccousa.com](http://www.chiccousa.com)