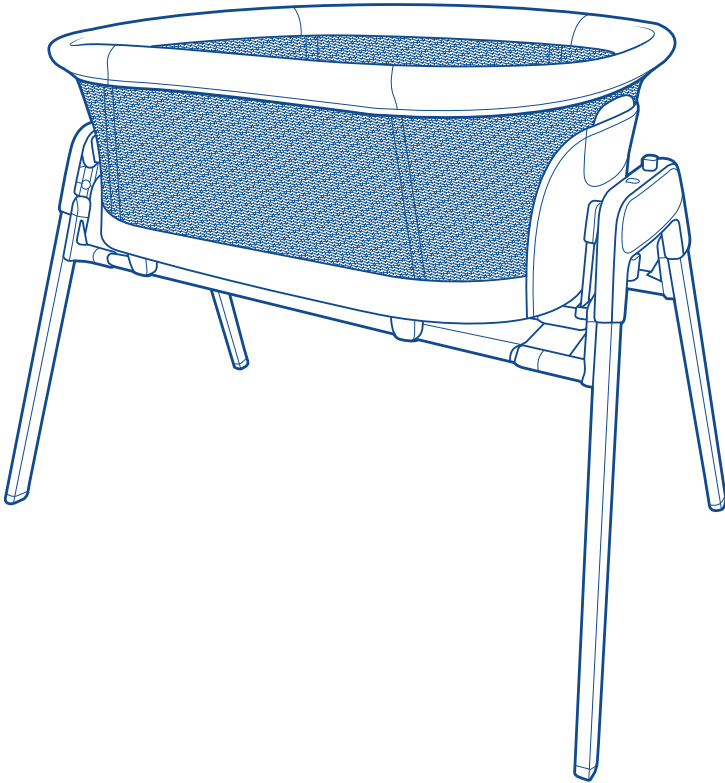




Read all instructions BEFORE  
assembly and USE of product.  
KEEP INSTRUCTIONS FOR  
FUTURE USE.



# LullaGlide™

## 3-in-1 Bassinet

Owner's Manual

## **WARNING**

Failure to follow these warnings and the instructions could result in serious injury or death. For your child's safety, read the labels and owner's manual before using the product.

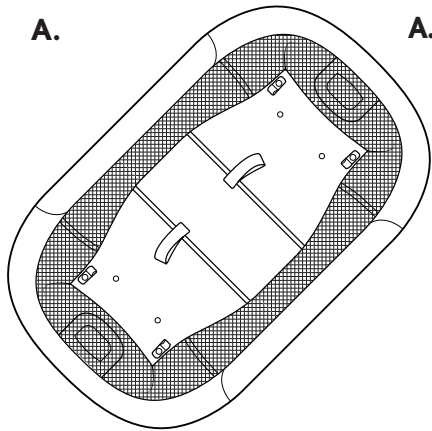
- PLEASE READ THESE INSTRUCTIONS CAREFULLY TO ENSURE THE SAFETY OF YOUR CHILD.
- ALWAYS PROVIDE THE SUPERVISION NECESSARY FOR THE CONTINUED SAFETY OF YOUR CHILD.
- SUFFOCATION HAZARD - Infants have suffocated:
  - In gaps between extra padding and side of the bassinet, and
  - On soft bedding.
  - Use ONLY the pad provided by Chicco. Never add a pillow, comforter, or another mattress for padding.
  - Product can roll over on soft surfaces and suffocate child. Never place product on beds, sofas, or other soft surfaces.
- If a sheet is used with the pad, use only a fitted sheet specifically designed to fit snug with at least 2" (5cm) under all sides of the pad.
- Strings and cords can cause strangulation! DO NOT place items with a string around child's neck such as hood strings, pacifier cords, etc.
- DO NOT suspend strings over the bassinet or attach strings to toys.
- DO NOT place the bassinet near a window where cords from blinds or drapes can strangle a child.
- FALL HAZARD - To help prevent falls, do not use this product when the infant begins to push up on hands and knees or has reached 20lbs (9kg), whichever comes first.

## **WARNING**

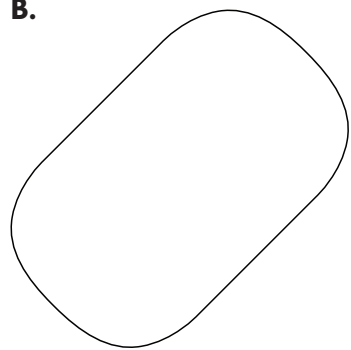
Failure to follow these warnings and the instructions could result in serious injury or death. For your child's safety, read the labels and owner's manual before using the product.

- Always check that the bassinet is securely locked on the stand by pulling upwards on the bassinet.
- Always use product on the floor. Never use on an unintended elevated surface.
- DO NOT carry bassinet with child in it.
- Be sure all sides are locked in position whenever child is in product.
- Before use, remove and dispose of all plastic bags and packaging materials and keep them out of reach of children.
- Do not use accessories, spare parts, or any component not supplied or approved by Chicco as they may make the bassinet unsafe.
- Keep bassinet away from stoves, heaters, fireplaces and other hazards which can cause injury to your child.
- To reduce the risk of SIDS (Sudden Infant Death Syndrome), pediatricians recommend healthy infants be placed on their back to sleep unless otherwise advised by your physician.
- DO NOT place more than one child in bassinet.
- Never use this product if there are any loose or missing fasteners, loose joints, broken parts, or torn mesh/fabric. Check periodically during use. Contact Chicco for replacement parts and instruction if needed. Never substitute parts.

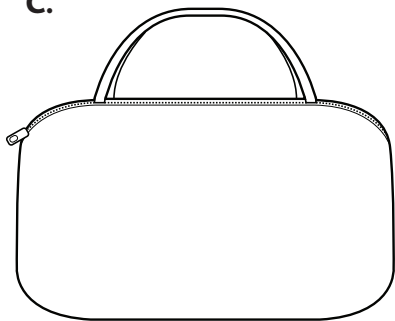
## Components



**A.** Bassinet

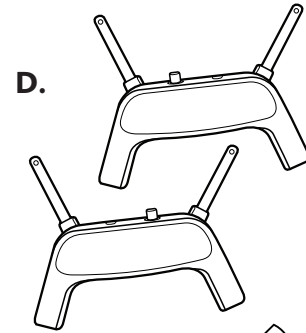


**B.** Mattress Pad with Fitted Sheet

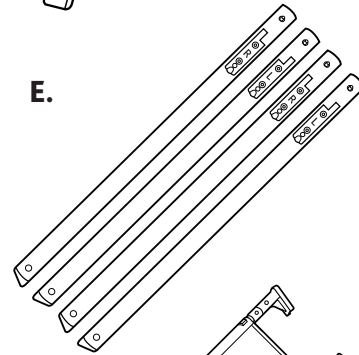


**C.** Carry Bag

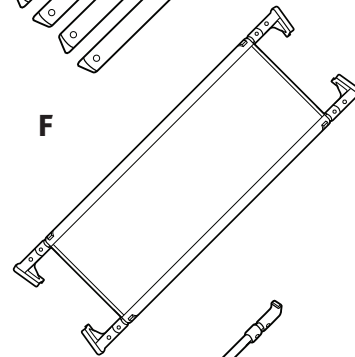
## Components



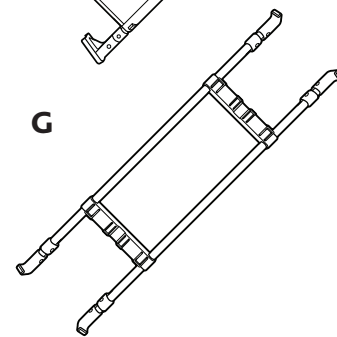
**D.** Leg Hubs



**E.** Legs



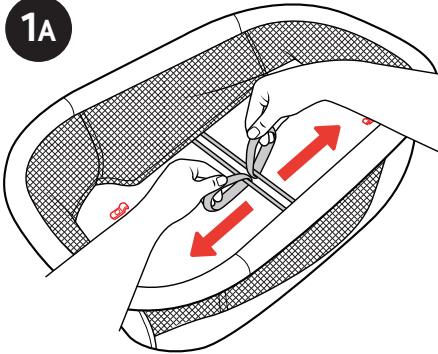
**F.** Support Shelf



**G.** Attachment Frame  
(Ships connected to bottom of Bassinet)

## Bassinet Assembly

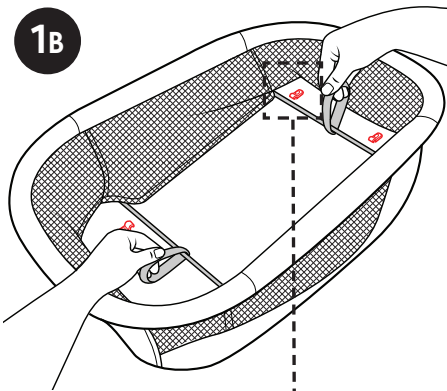
1A



1A. Locate both pull straps on the Extender Bars inside the Bassinet.

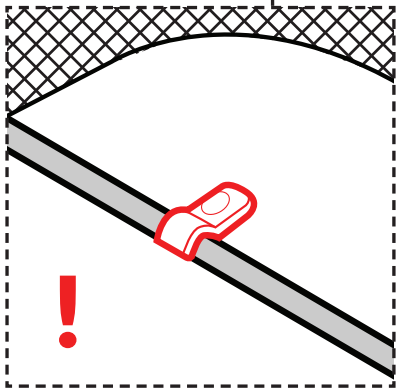
Pull out on both Pull Straps to lift up the sides of the Bassinet.

1B



1B. Continue pulling on the Pull Straps until the Extender Bars lock into place under all four clips located on the bottom of the Bassinet, as shown.

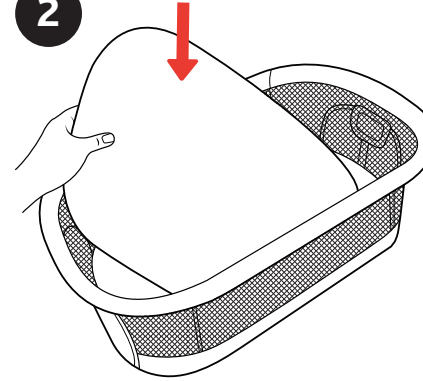
*Tip: If having trouble securing the Extender Bar under the clips, the Pull Strap can be slid to either side of the Extender Bar allowing you to secure one clip at a time.*



! Double check that **ALL FOUR CLIPS** are secured over the Extender Bars.

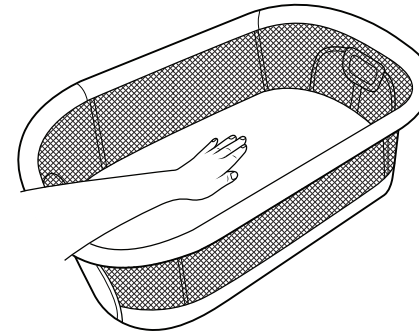
## Bassinet Assembly

2



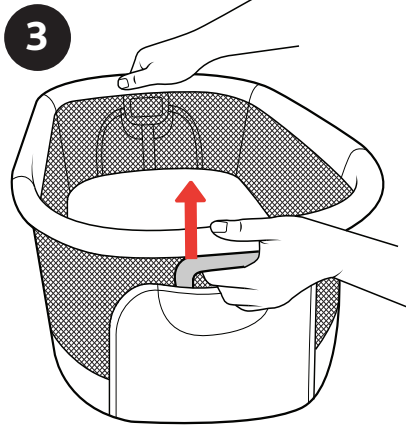
2. Check that the Fitted Sheet is properly installed on the Mattress Pad.

Then place the Mattress Pad into the Bassinet and press it down flat against the bottom of the Bassinet.



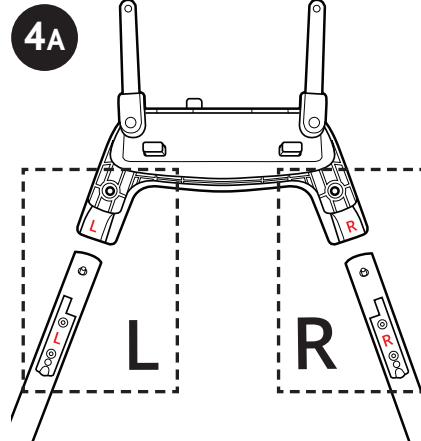
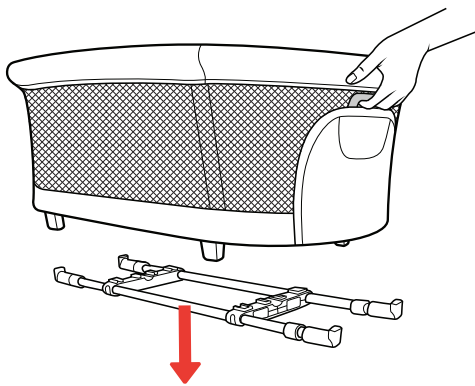
*Note: One side of the Mattress Pad has a layer of rigid plastic under the waterproof material. The rigid plastic layer goes against the bottom of the Bassinet.*

## Bassinet Assembly

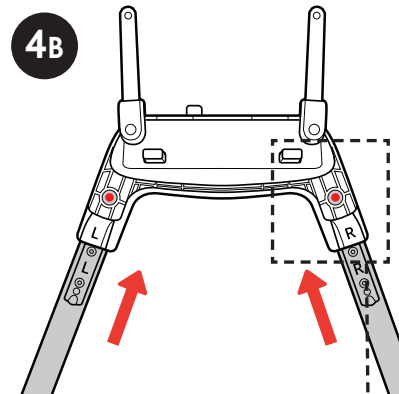


3. Pull up on both of the Release Handles to remove the Attachment Frame from the Bassinet.

Set both aside.



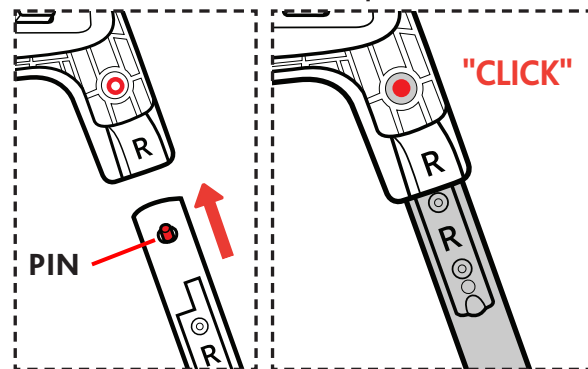
4A. Lay down one of the Leg Hubs and match up a left (**L**) and a right (**R**) Leg to the corresponding letters on the Leg Hub.



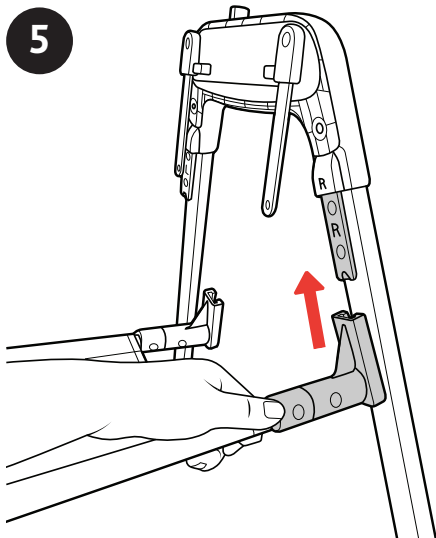
4B. Push both Legs into the Leg Hub until the pins lock into place.

Make sure the Legs are securely attached and the pins are engaged.

Repeat this step for the other Leg Hub and Legs.

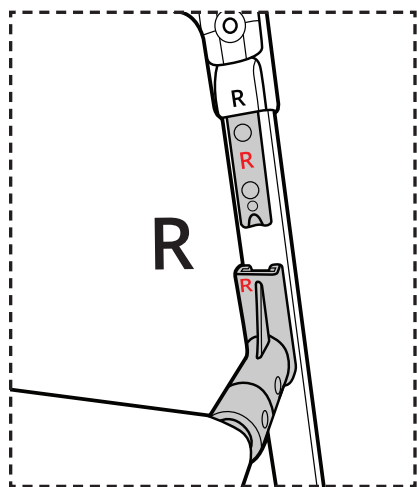


## Stand Assembly

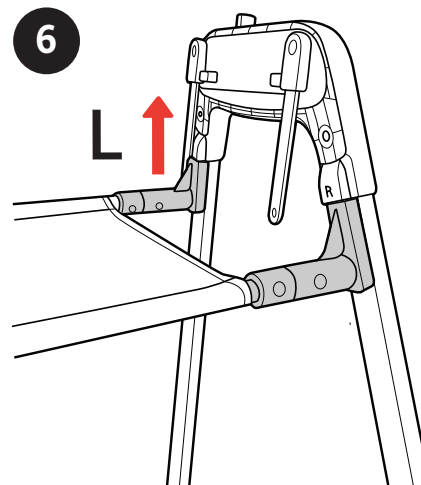


5. Match one of the right (**R**) arms of the Support Shelf to the right (**R**) Leg attachment point.

Slide the Support Shelf arm up onto the attachment point until it locks into place.



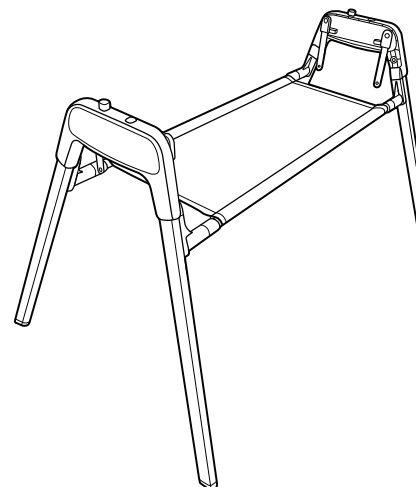
## Stand Assembly



6. Then slide the left (**L**) Support Shelf arm up onto the left (**L**) attachment point until it locks into place.

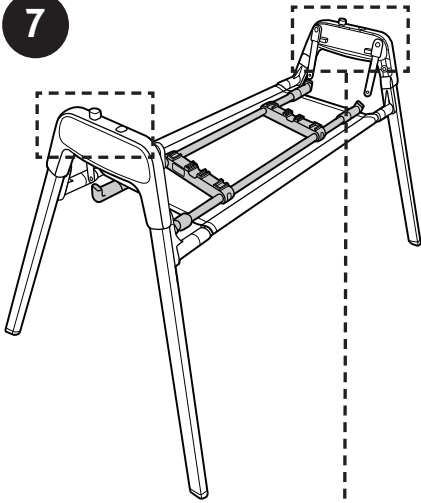
Make sure both Support Shelf arms are securely attached.

Repeat Steps 5 and 6 for the other side of the Support Shelf.



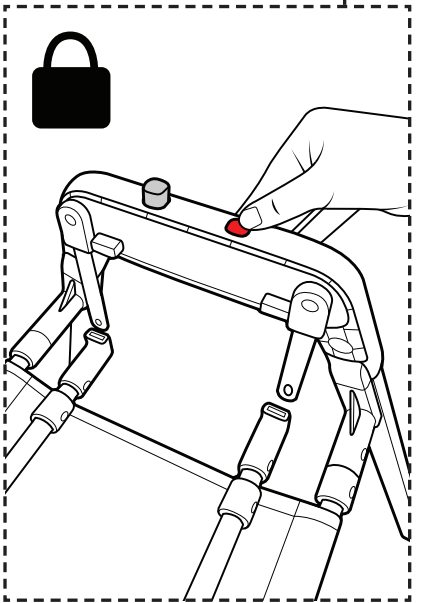
## Stand Assembly

7



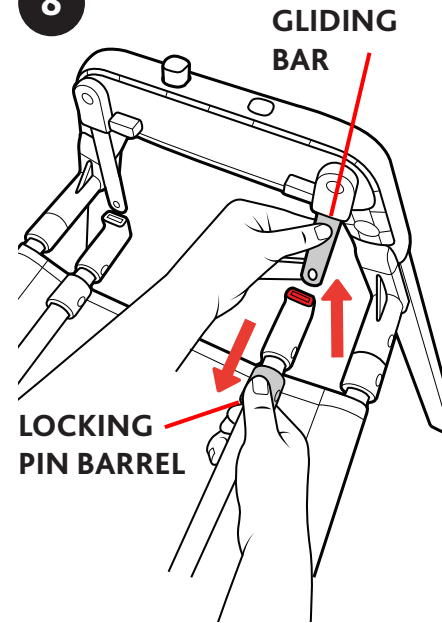
7. Lay the Attachment Frame on the Support Shelf and then press down on the **LOCK Button** on top of **BOTH** of the Leg Hubs.

Locking the Rocking Bars will help when assembling the Attachment Frame to the Rocking Bars.



## Stand Assembly

8

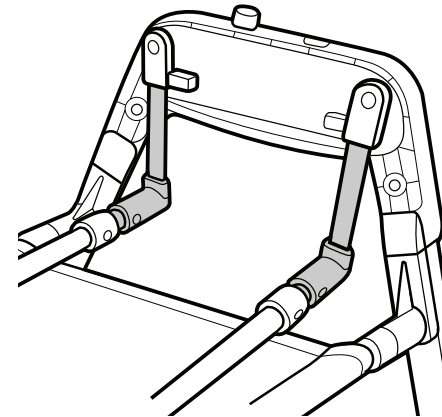


8. Pull back on the Locking Pin Barrel and insert the Gliding Bar into the slot on the Attachment Frame arm.

Let go of the Locking Pin Barrel to secure the Locking Pin into place.

Pull down on the Attachment Frame arm to make sure that it is secured into place.

Repeat this step for the rest of the Attachment Frame arms.

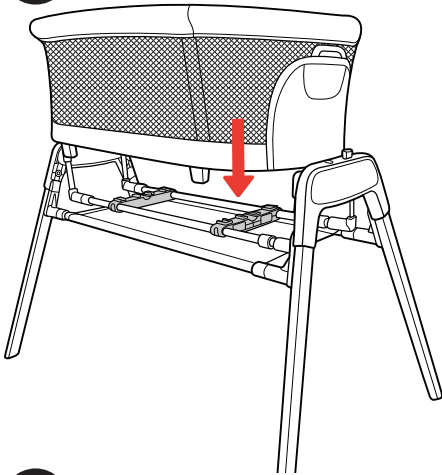


## Using Bassinet with Stand

### ⚠ WARNING

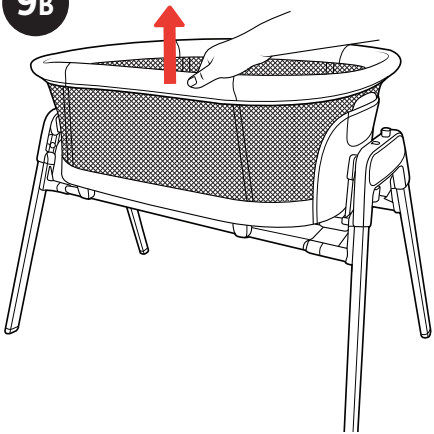
FALL HAZARD - To help prevent falls, do not use this product when the infant begins to push up on hands and knees or has reached 20lbs (9kg), whichever comes first.

9A



9A. Push the Bassinet down onto the Attachment Frame until it locks into place.

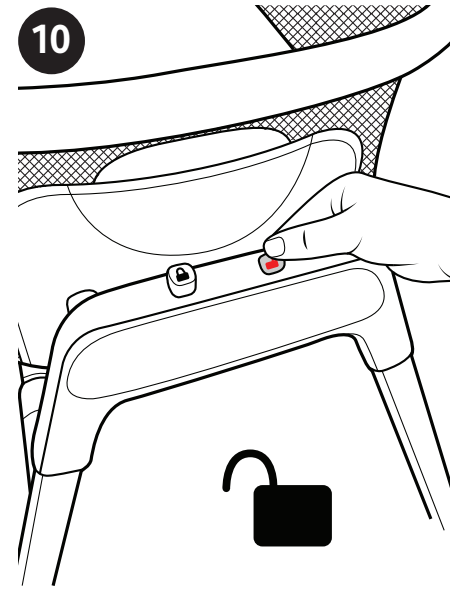
9B



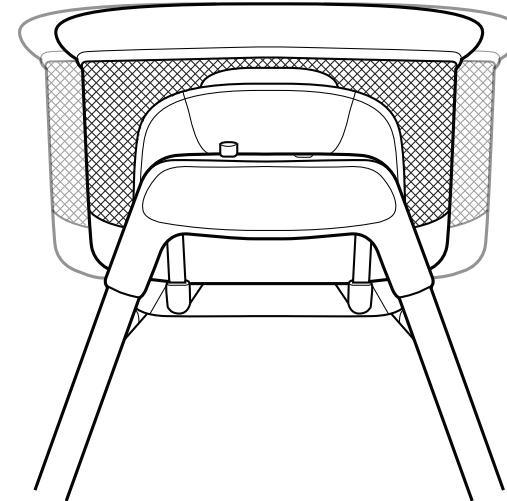
9B. Check to make sure that the Bassinet is secure by pulling up on the sides.

## Using Bassinet in Glide Mode

10



10. To allow the Bassinet to gently glide back and forth press the **UNLOCK** buttons on the top of BOTH of the Leg Hubs to allow the Gliding Bars to swing freely.



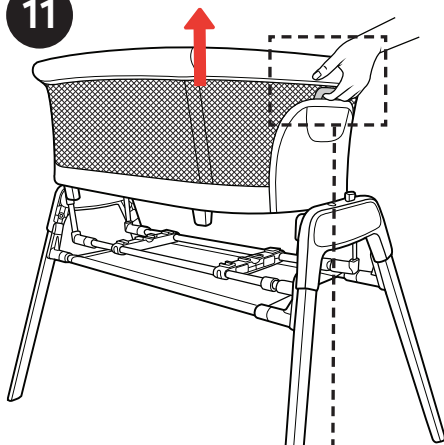


## Using Bassinet without Stand

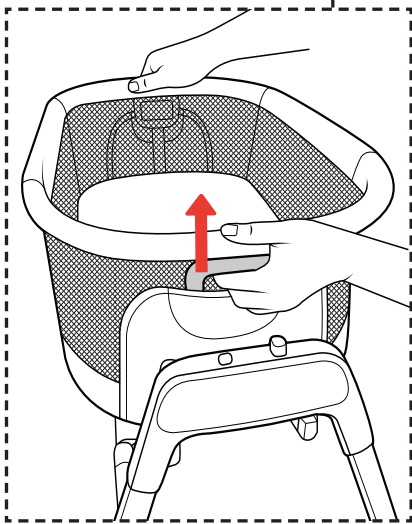
### ⚠ WARNING

- Do not carry baby in the product.
- Always use product on the floor. Never use on an unintended elevated surface.
- Product can roll over on soft surfaces and suffocate child. Never place product on beds, sofas or other soft surfaces.

11

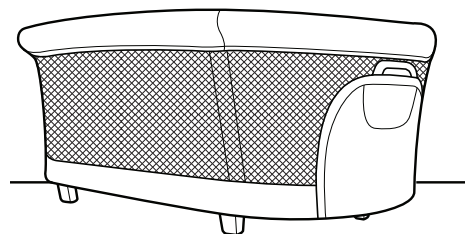


11. To use the Bassinet without the Stand, pull up on both of the Release Handles to remove the Bassinet.



## Using Bassinet without Stand

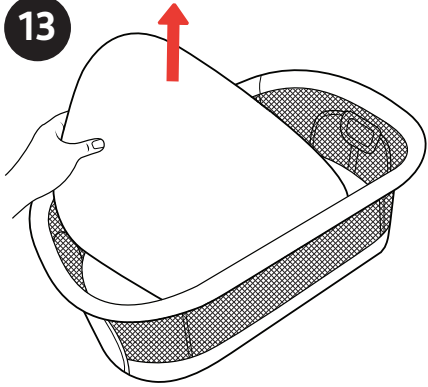
12



12. Place on a firm surface on the floor before placing your child in it.

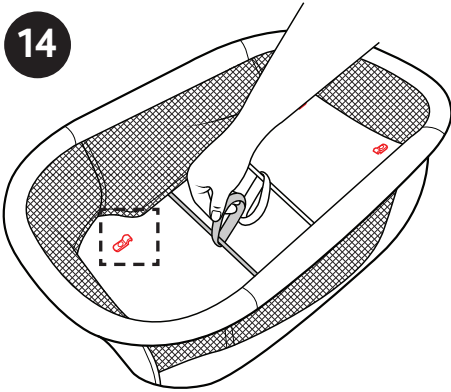
## Folding Bassinet for Travel

13



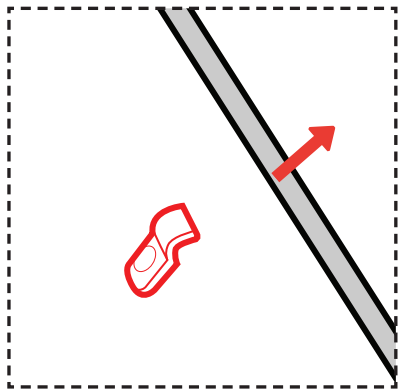
13. To fold the Bassinet for Travel, remove the Mattress Pad.

14



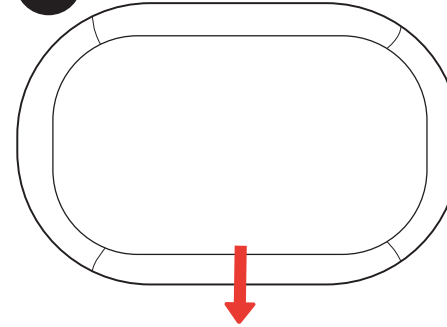
14. Pull in on both Pull Straps on the Extender Bars to unclip the bars and fold up the sides of the Bassinet.

*Tip: If having trouble unclipping the Extender Bar, the Pull Strap can be slid to either side of the Extender Bar allowing you to unclip one clip at a time.*

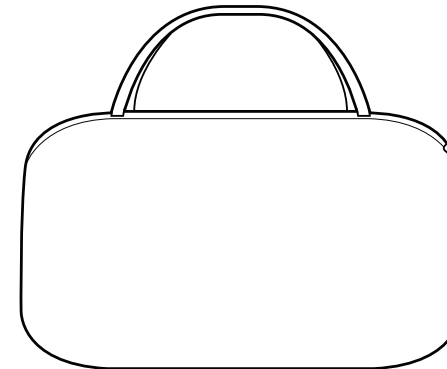


## Folding Bassinet for Travel

15

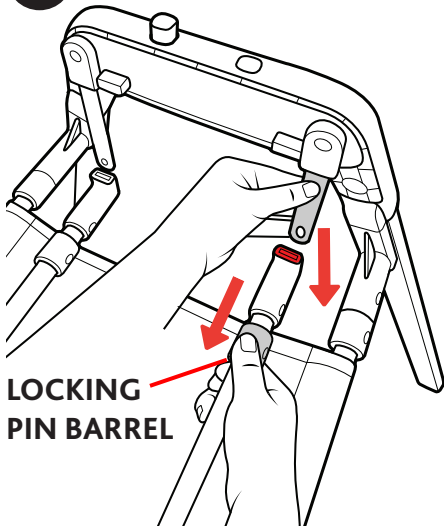


15. Store the Bassinet and the Mattress Pad inside the Carry Bag, as shown.



## Storing the Product

16

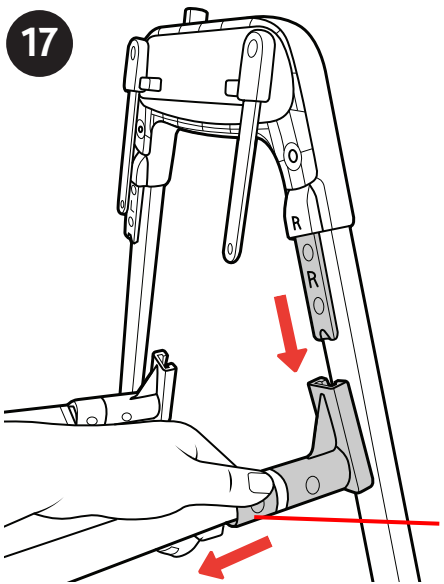


Refer to Steps 11-14 for removing and folding the Bassinet.

16. Pull back on the Locking Pin Barrel and pull down to remove the Gliding Bar from the slot on the Attachment Frame arm.

Repeat this step for the rest of the Attachment Frame arms.

17

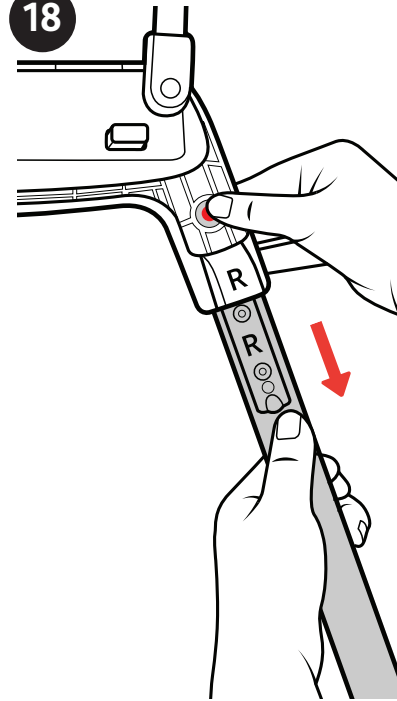


17. Pull back on the Release Barrel and pull down to remove the Support Shelf arm.

Repeat this step for the rest of the Support Shelf arms.

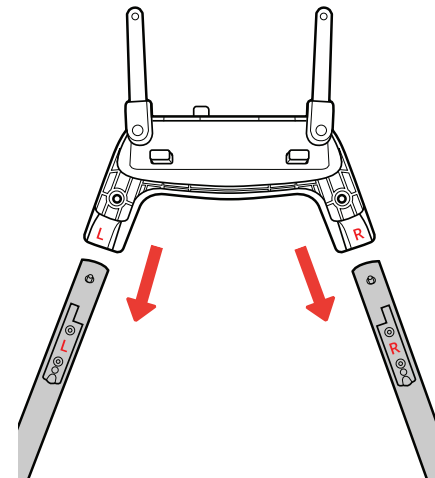
## Storing the Product

18



18. Remove the Legs by pushing in on the Pin and pulling the Leg out.

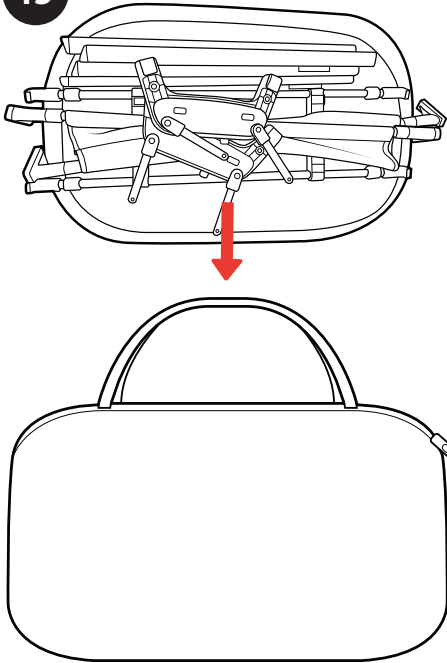
Repeat this step for the other Legs.



## Storing the Product

19

19. Store everything inside of the Carry Bag, as shown.



## Cleaning and Maintenance

This product requires regular maintenance. The cleaning and maintenance of the product must only be carried out by an adult.

### CLEANING

Please refer to the care label for instructions on cleaning the fabric parts of the Bassinet. You can spot clean the Mattress Pad with a damp cloth and mild detergent. Do not use bleach, spray, or wipes on the Pad or plastics parts on this product.

Mattress Pad sheet can be removed and washed, please refer to the care label for instructions on cleaning.

Periodically wipe clean plastic parts with a soft damp cloth. Always dry the metal parts to prevent the formation of rust if the product has come into contact with water.

## For More Information

For USA customers :

If you have any questions or comments about this product, or are missing any of the parts, please do not return this product to the store.

Contact us in one of the following ways:



(877)-424-4226



info.usa@artsana.com



www.chiccousa.com



1826 William Penn Way  
Lancaster, PA 17601



[www.chiccousa.com](http://www.chiccousa.com)