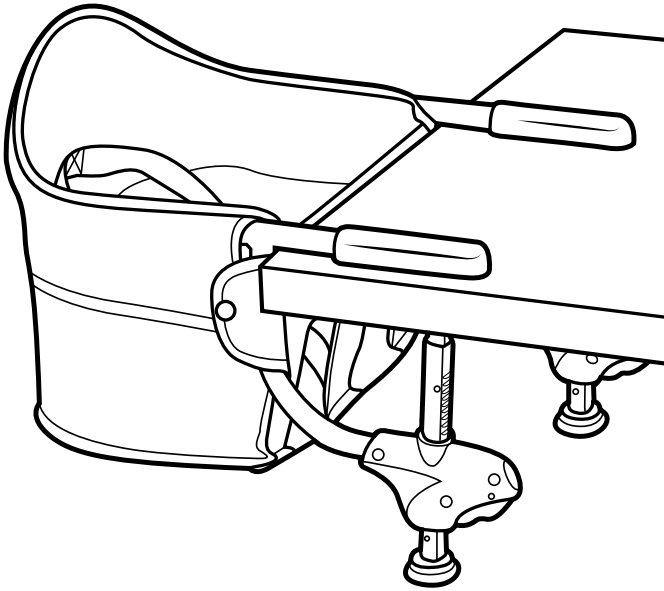




Read all instructions BEFORE
assembly and USE of product.
**KEEP INSTRUCTIONS FOR
FUTURE USE.**



Caddy Hook-On Chair

Owner's Manual

⚠️ WARNING

Failure to follow all warnings and instructions could result in serious injury or death.

Fall Hazard. To prevent falls:

- **ALWAYS** use restraints. Adjust to fit snugly.
- Keep child in view.
- To prevent tipover, check stability of table before and after seating child.
- **NEVER** use with:
 - glass table top
 - loose table top
 - single pedestal table
 - card table
 - table leaf
 - table cloths or placemats
- Child can use nearby structures to kick or push chair off.
NEVER use hook-on chair:
 - with ordinary chair underneath
 - in reach of table legs
 - near island below countertop

Use only for:

- child who can sit upright without help.
- child up to 37 pounds (16.8 kg).
- tables 3/4 to 1 1/2 in. thick (19 to 38 mm).

⚠️ WARNING

Additional Warnings:

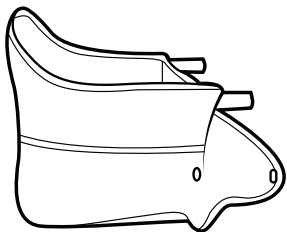
- Discontinue use if child, when seated in hook-on chair, is able to move the hook-on chair arms on the table top.
- Before removing child from hook-on chair, be sure child's legs are free from hook-on chair supports.
- Discontinue use if hook-on chair is broken or missing any components. Contact Chicco immediately for replacement parts or service.
- Do not use without all rubber on the arms attached securely to table surface.
- Keep table and seat clean and dry to prevent slipping.
- Do not allow other children to play near or walk under hook-on chair while in use.

Your child's safety is very important to us, so we urge you to take the following precautions when using this product.

- Do not use replacement parts other than those approved by Chicco.
- Frequently check the arm clamping screws and tighten them if required.
- Do not attach objects to the hook-on chair, since they might affect the stability and safety of the product.
- Do not fit or lock the hook-on chair to a table with the child sitting in the hook-on chair.
- Do not seat more than one child at a time in the hook-on chair.
- Do not attach the hook-on chair to drawers or movable parts of tables.
- Suffocation Hazard: Keep plastic covering away from babies and children to avoid suffocation.
- Keep hot liquids/foods away from table while child is in hook-on chair.

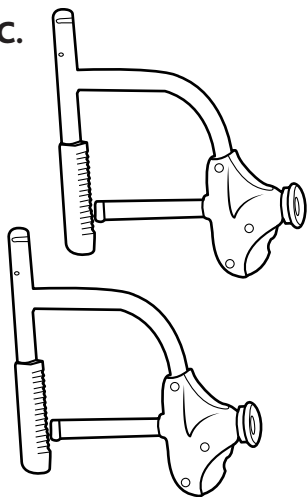
Components

A.



A. - Hook-on Chair - seat

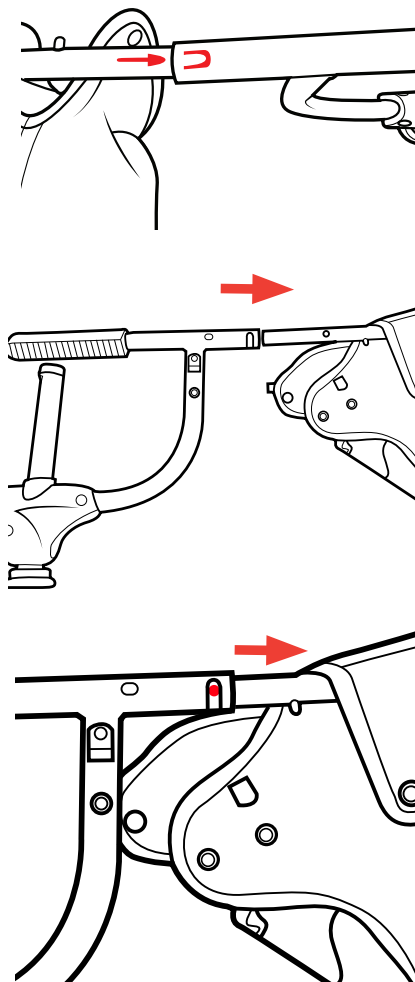
B. - C.



B. - C. - Arms

Assembling the chair

1

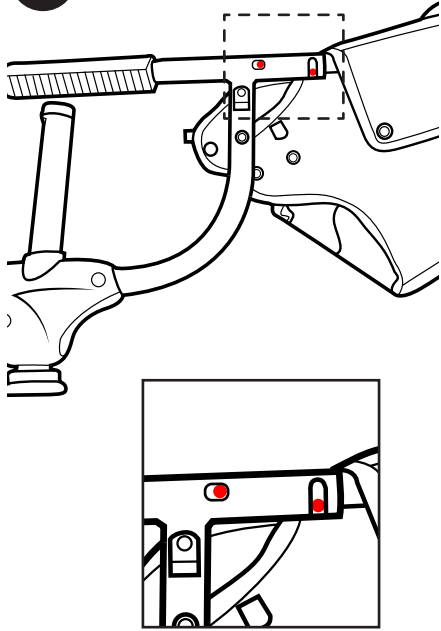


Locate the arm with the 'U' marking. Insert the arm into the seat with the corresponding 'Arrow' marking.

1. Press the buttons on one side piece of the chair and hold them in as you slide the arm into place.

Assembling the chair

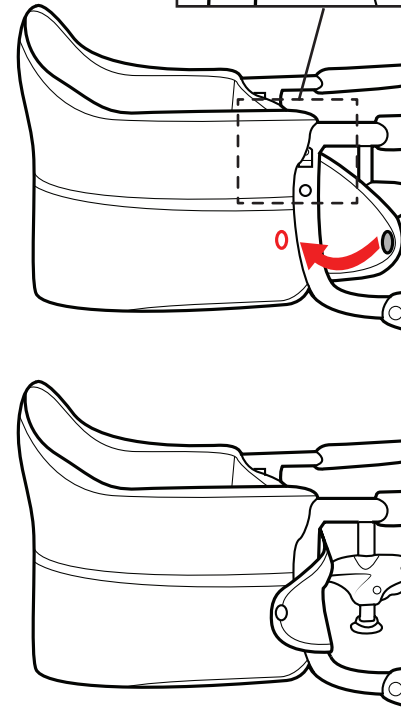
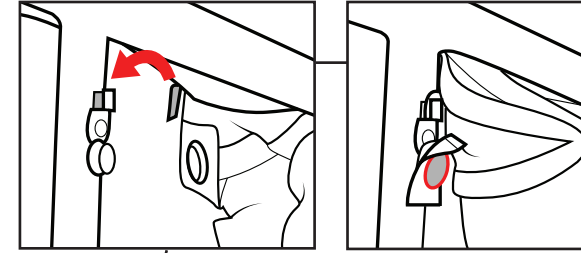
2



2. When the arm is on as far as it will go, twist it until the buttons on the side piece click into place in the holes of the arm. Repeat these steps with the arm on the other side of the chair.

Assembling the chair

3

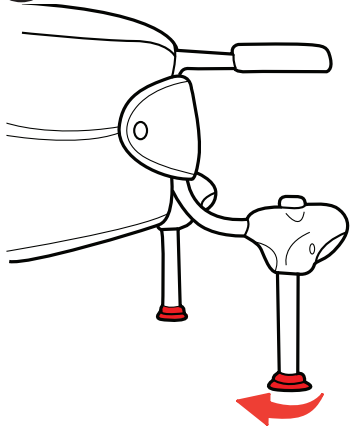


3. Secure the seat fabric to the chair arms on both sides near the leg openings.

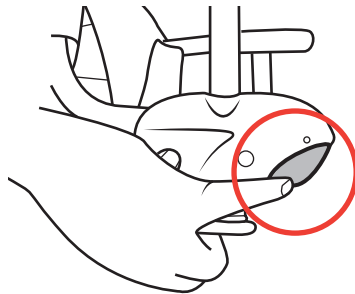
Slide the hook into the eye on the outside of the chair arm, then fasten the snap below. Wrap the seat fabric around to the outside of the chair arm, as shown, and fasten the second snap. Repeat for the other side.

Attaching the chair to the table

4

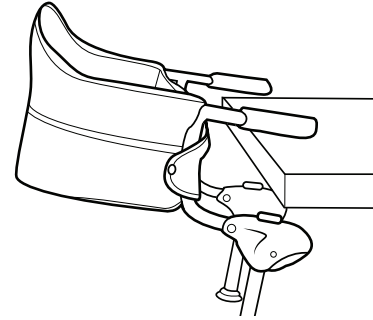


4. If the pin is up, lower it so it is all the way down before you attach Hook-on Chair to the table. Press the triggers on the bottom of each arm so that the pins slide toward the ground. Rotate the knob on the bottom of the pin on each arm in a clockwise direction.



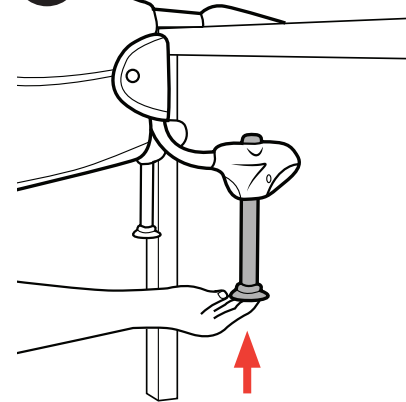
Attaching the chair to the table

5



5. Hold the chair in position on the table so that the arms are level with the table surface. Push the chair onto the table until it cannot go any further. Check to make sure there is not a gap between the edge of the table top and the arms.

6

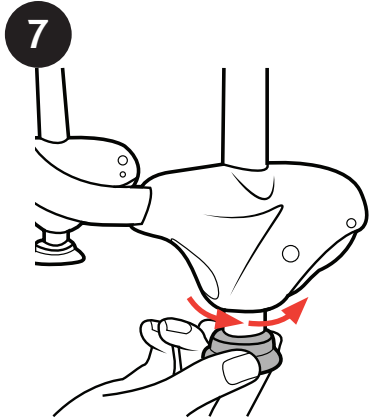


6. Push the pin on one arm up until it is resting firmly against the bottom of the table. It will click as it moves through each possible position. Repeat this step with the pin on the other arm.

Attaching the chair to the table

⚠ WARNING

Pull/Push on hook-on chair to make sure it is firmly attached to table.

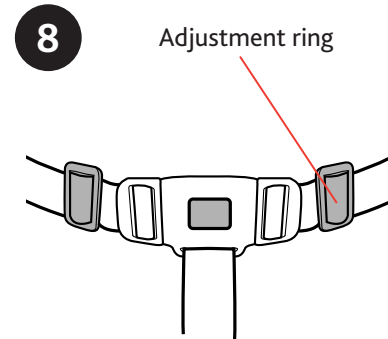


7. Tighten the chair on the table by rotating the knob on the bottom of the pin on each arm in a counter-clockwise direction. If the chair is securely fastened to the table, you should not be able to move it at all by pushing on it.

Securing your child in the chair

⚠ WARNING

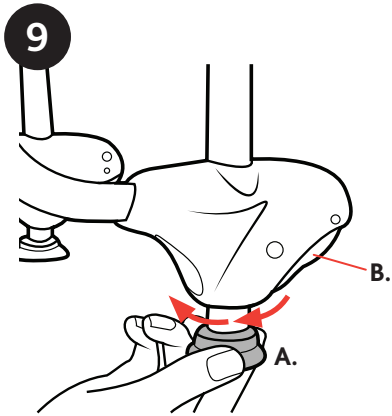
Never leave child unattended in hook-on chair. Always keep child in view.



8. Always use the Safety Belt when using the hook-on chair. Fasten one side strap into the crotch strap in front of the child. Then fasten the other side strap into the crotch strap to secure the child.

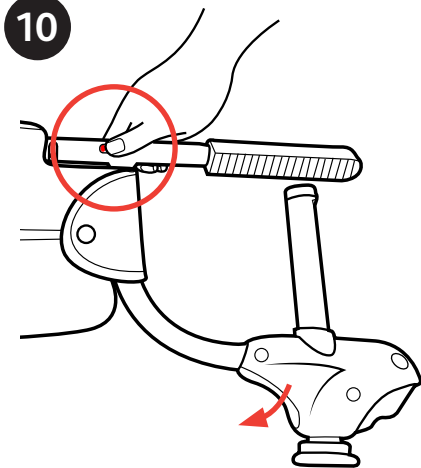
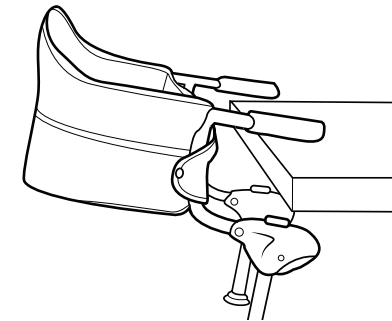
Adjust strap snugly around child. Tighten or loosen the belt by moving the webbing through the adjustment ring.

How to Remove the Hook-on Chair



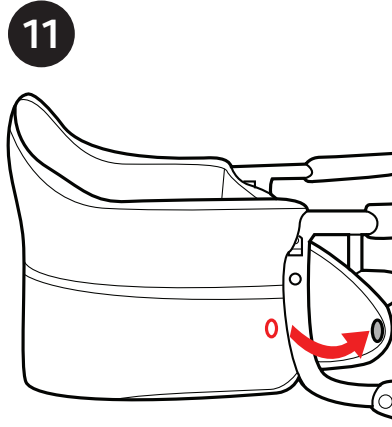
9A. Unlock the pins by turning the screws on the end of the pins in a clockwise direction.

9B. Then push in the button to release the pins. The pins will not release down until it is unlocked.

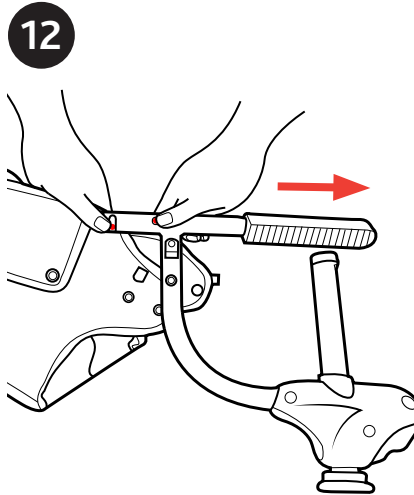


10. To fold the chair, press the front button on each side of the chair and fold the arms toward the center of the chair.

Removing the seat cover for cleaning



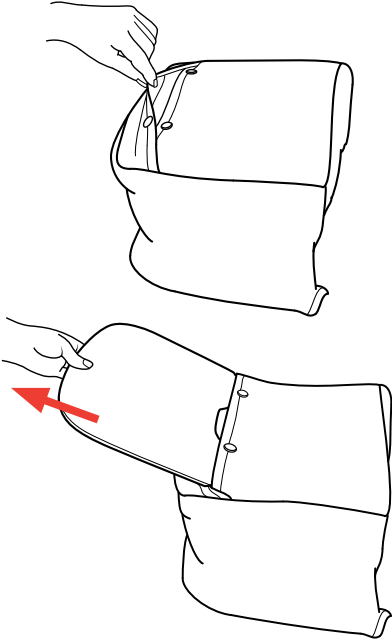
11. Unsnap the cover from the chair.



12. Press the buttons on both side pieces and slide the arms over the buttons and off of the chair. At this point, you can remove the fabric from the seat frame.

Removing the seat cover for cleaning

13



13. Release the snaps on the bottom of the seat and remove the rigid base.

Hand wash the seat cover in cold water. Drip dry. After each washing, check the condition of the fabric and the seams.

Reverse steps for reassembly.

Care and maintenance

Your chair requires some regular maintenance:

- Periodically check the seat for possible broken or missing parts or damage. If you discover any damage or missing parts, do not use the seat.
- Dry the metal parts on the seat carefully to avoid rusting.

For more information

If you have any questions or comments about this product, or are missing any of the parts, please contact us in one of the following ways:



(877)-424-4226



info.usa@artsana.com



www.chiccousa.com



1826 William Penn Way
Lancaster, PA 17601



www.chiccousa.com