

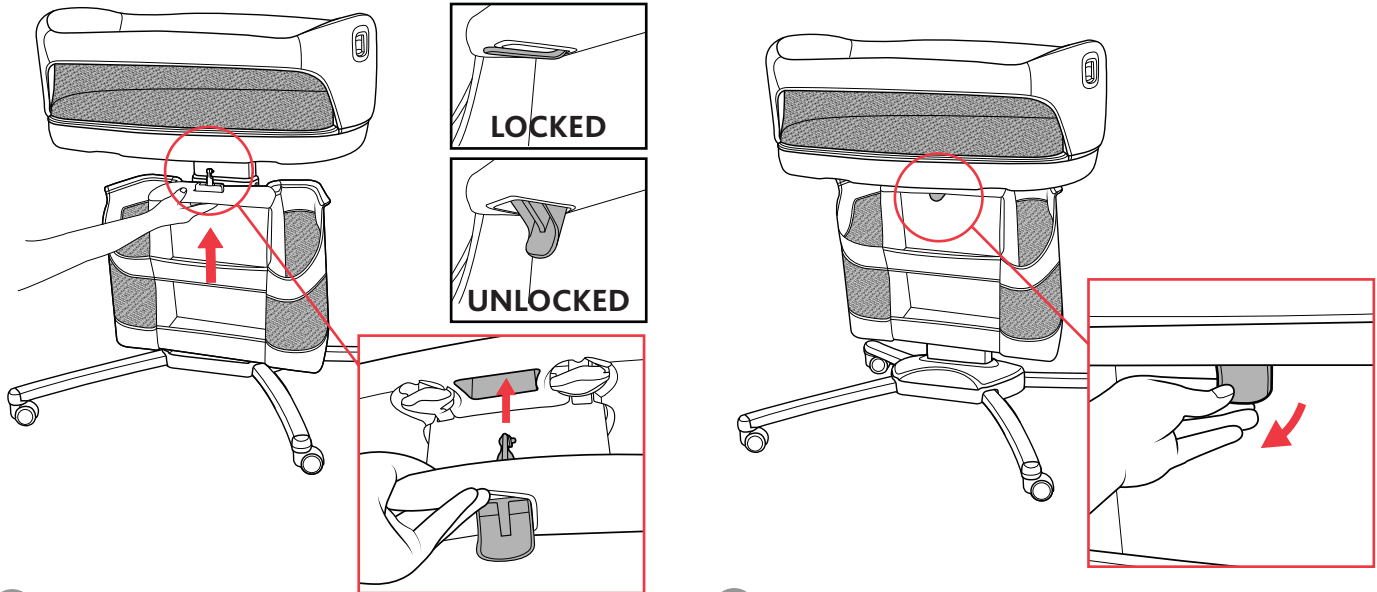


**⚠ WARNING: DO NOT** put objects in the Diaper Caddy that may be harmful to your child. The combined weight of items stored in caddy cannot exceed 5 lbs (2.3 kg). You must read and understand Close To You Diaper Caddy instructions and the Close To You Owner's Manual. If you do not understand these instructions call Chicco at 1-877-424-4226.

SS0029E\_02

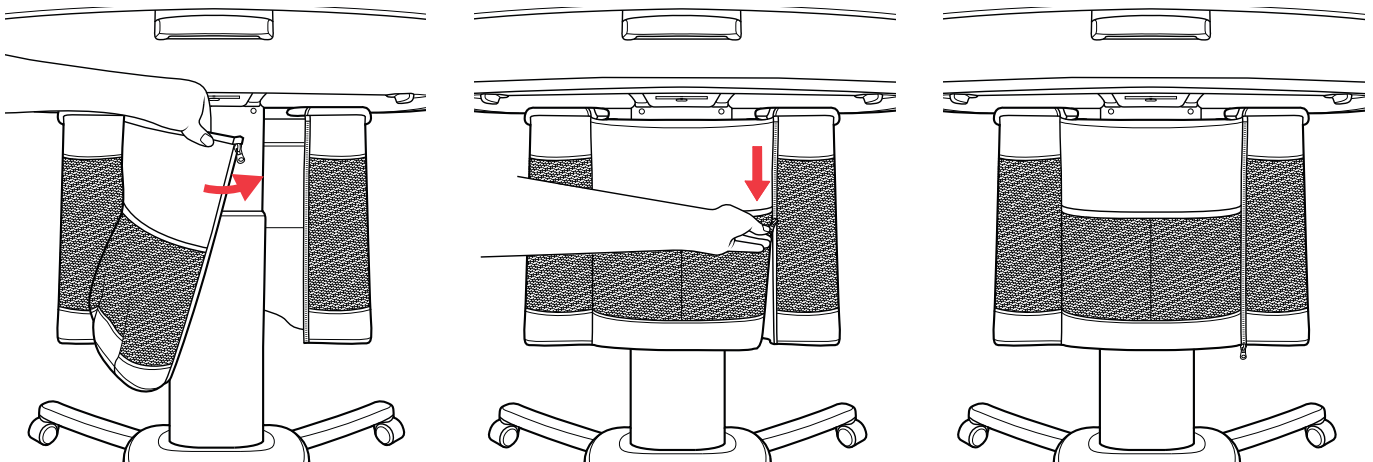
## INSTRUCTIONS: Close To You Diaper Caddy

IMPORTANT: Please also refer to the Owner's Manual that came with your product.



**1** Make sure the Locking Tab is down in the unlocked position. On the **BACK** of the Bassinet insert the Diaper Caddy Locking Pin into the Bassinet, as shown. Make sure the Locking Pin is pushed firmly into place.

**2** While holding the Diaper Caddy flush against the bottom of the bassinet, pull the Locking Tab **towards you** until it is up in the locked position, flat against the top of the Caddy.



**3** On the **FRONT** of the Bassinet, attach the Zipper at the top and zip it closed.